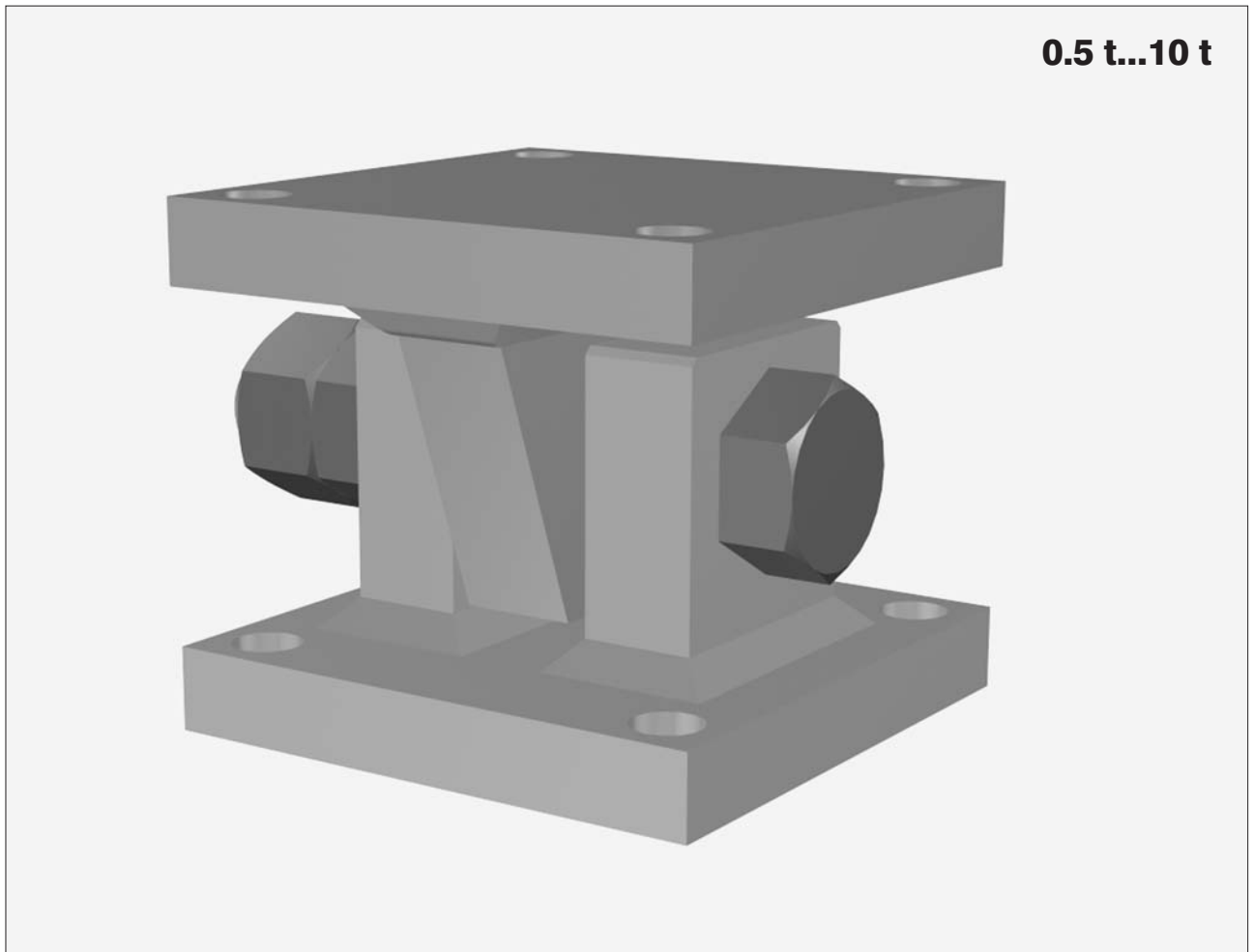


Type 56-01 Dummy Support

0.5 t...10 t



The type 56-01 dummy supports have same height and can be combined with corresponding capacity of weigh module type 52-13.

The dummy supports are typically used in scale systems for level control in tanks. They replace two of the weigh modules in tanks on 3 or 4 legs and give a very cost effective scale solution.

The supports are dimensioned to take side forces in any horizontal direction as well as lift off forces, up to 100% of maximum capacity. The weigh module can therefore be of simplest free sliding type and fitted with lift off protection only if required.

If foundation plates and tank feet are prepared also with mounting holes for the weigh module, the scale can later easily be upgraded to a high accuracy load cell system by replacing the dummy supports with weigh modules.

Material: Mild steel, zinc plated.

Important Features

- Capacities 5 kN to 100 kN.
- Easy installation by bolting or welding.
- Tolerates large angular errors for tank foot and foundation plate.
- Allows thermal expansion/contraction.
- Very rugged design.

Accessory

- Welding plates top and /or bottom