

Type 55-01-07C Rocker System



Rocker System 55-01-07C with RC3 Load Cell



Flintec Bubble Level

Flintec load cell supports are designed to prevent unwanted forces from affecting load cell performance.

The Type 55-01-07C is a self aligning rocker system, combining excellent load introduction with low profile design.

Especially designed for the RC3 load cells.

Material: steel, zinc plated.

A mounting fixture is available for easy and accurate positioning of foundation plates.

The unique Flintec bubble level is available for accurate vertical alignment of the load cell.

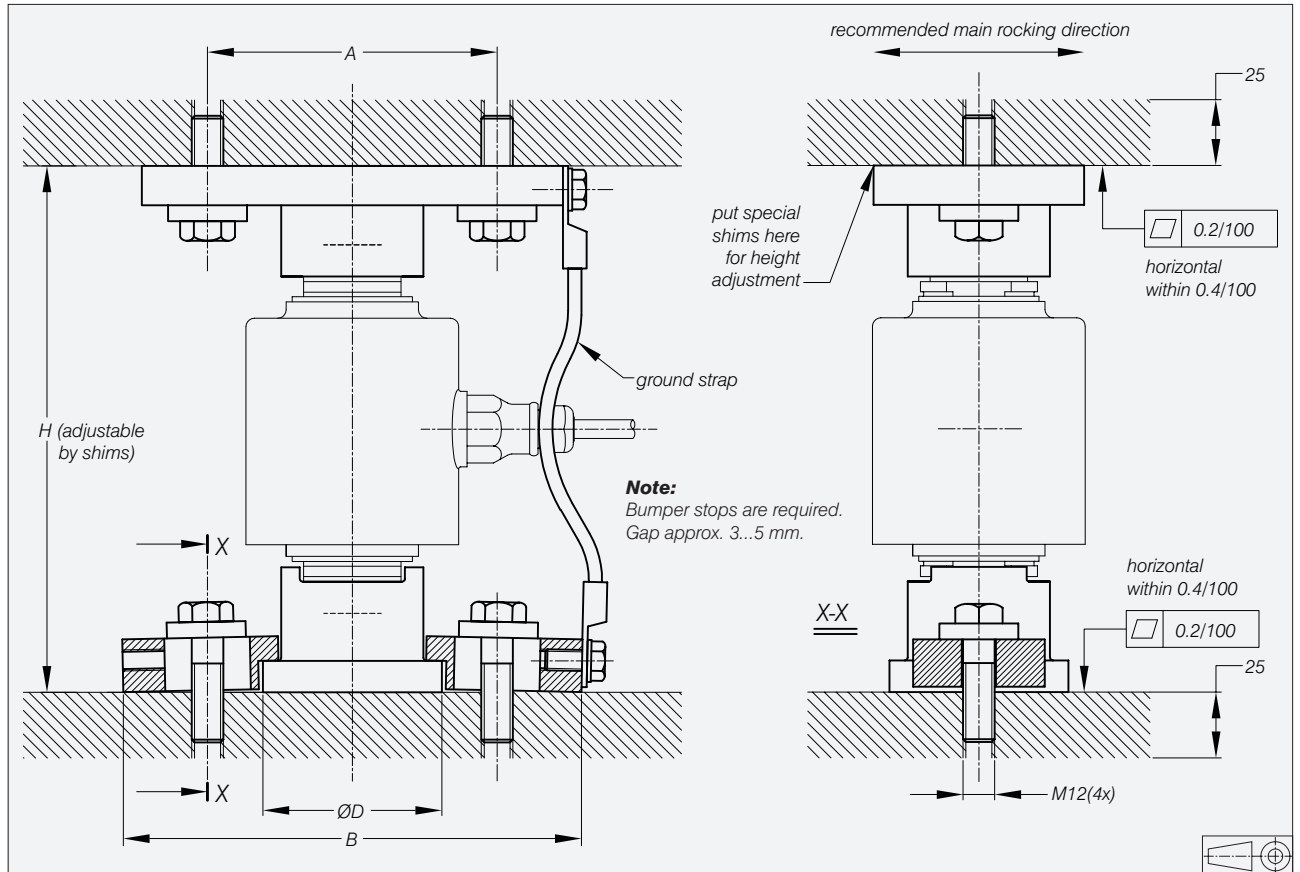
Important Features

- Capacity 30 t, 40 t and 50 t.
- Low cost.
- Very easy to install.
- Especially designed for weighbridges.
- W&M certified.

Accessories

- Mounting fixture.
- Bubble level.
- Welding plate.

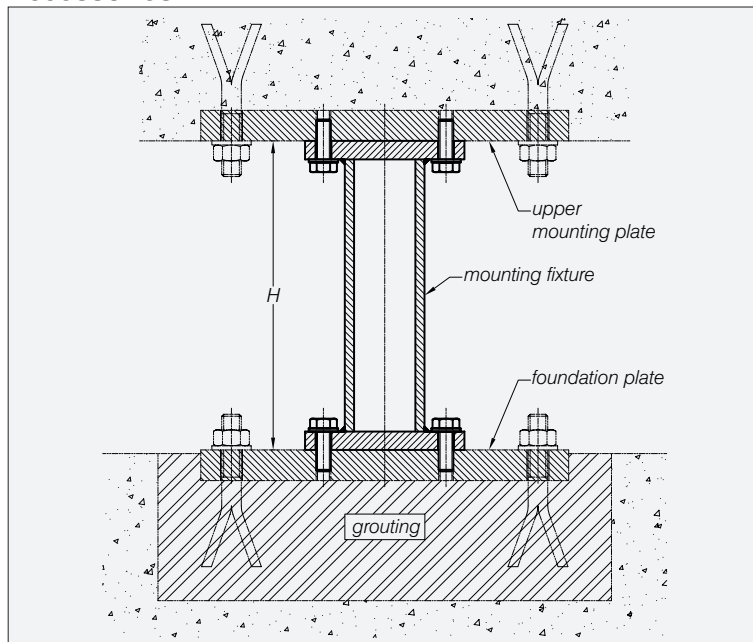
Dimensions



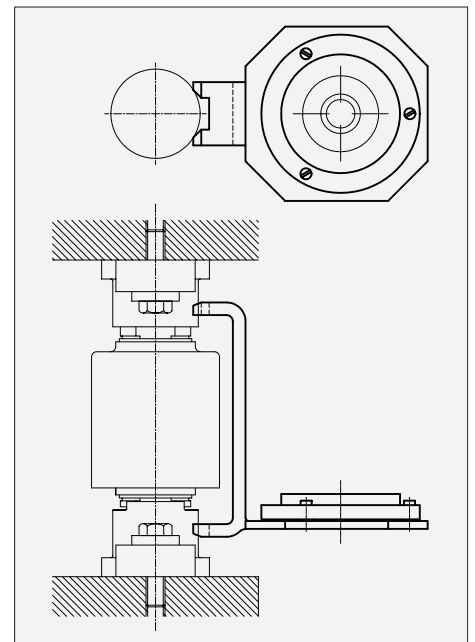
Load Cell Type	A	B	ØD	H
RC3-30 t	110	176	68	200
RC3-40 t	110	176	68	210
RC3-50 t	130	196	88	240

All dimensions in mm. Dimensions and specifications are subject to change without notice. Assembly drawings with installation instructions and CAD files for customer's own applications drawings are available on request.

Accessories



The mounting fixture is used for easy and accurate positioning of the foundation plate.



The Flintec bubble level.