

Type 55-01-07A Rocker System



Rocker System 55-01-07A with RC1 Load Cell



Flintec Bubble Level

Flintec load cell supports are designed to prevent unwanted forces from affecting load cell performance.

The Type 55-01-07A is a self aligning rocker system, combining excellent load introduction with low profile design.

Especially designed for the RC1 load cells.

Material: steel, zinc plated.

A mounting fixture is available for easy and accurate positioning of foundation plates.

The unique Flintec bubble level is available for accurate vertical alignment of the load cell.

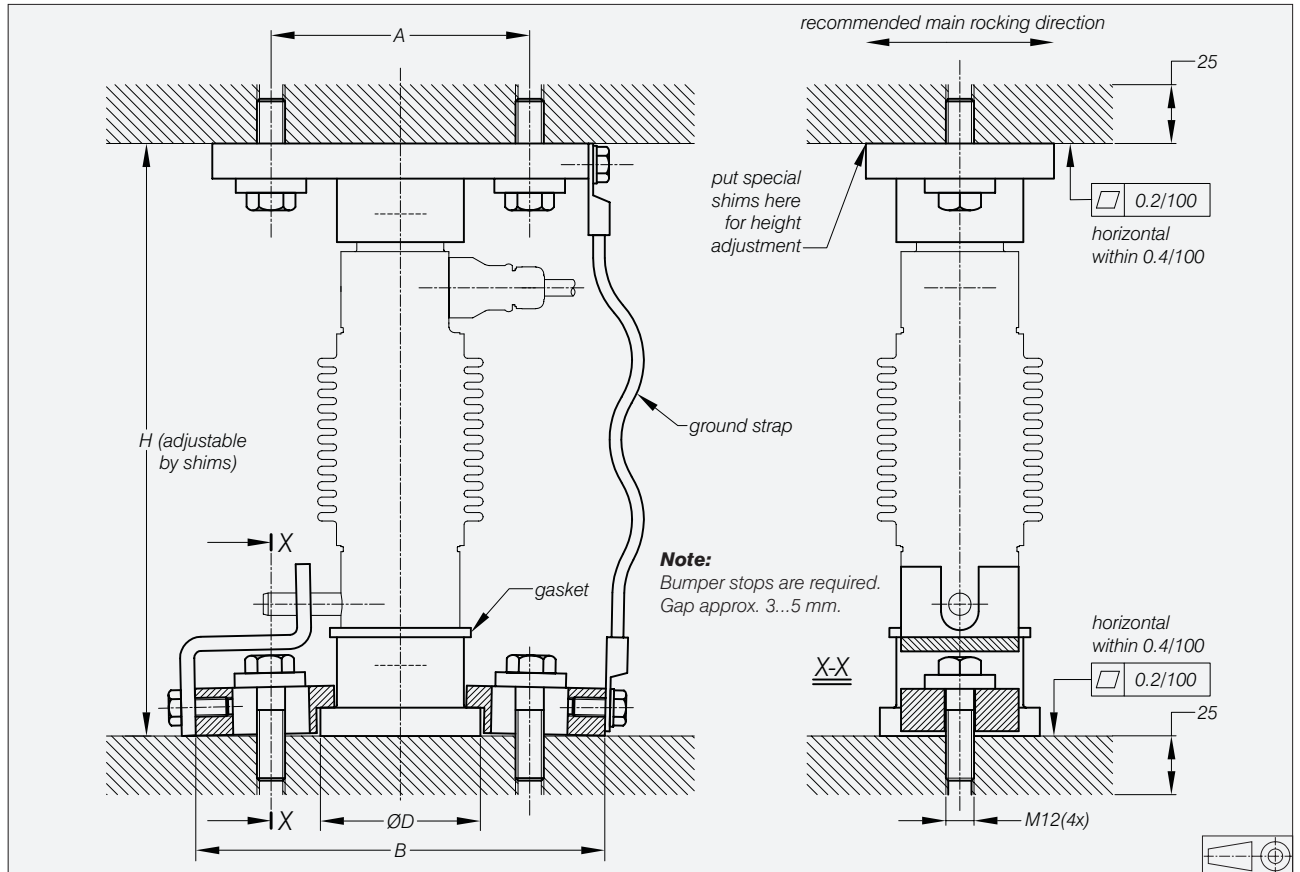
Important Features

- Capacities 25 t, 40 t, 60 t and 90 t.
- Low cost.
- Very easy to install.
- Especially designed for weighbridges.
- W&M certified.

Accessories

- Mounting fixture.
- Bubble level.
- Welding plate.

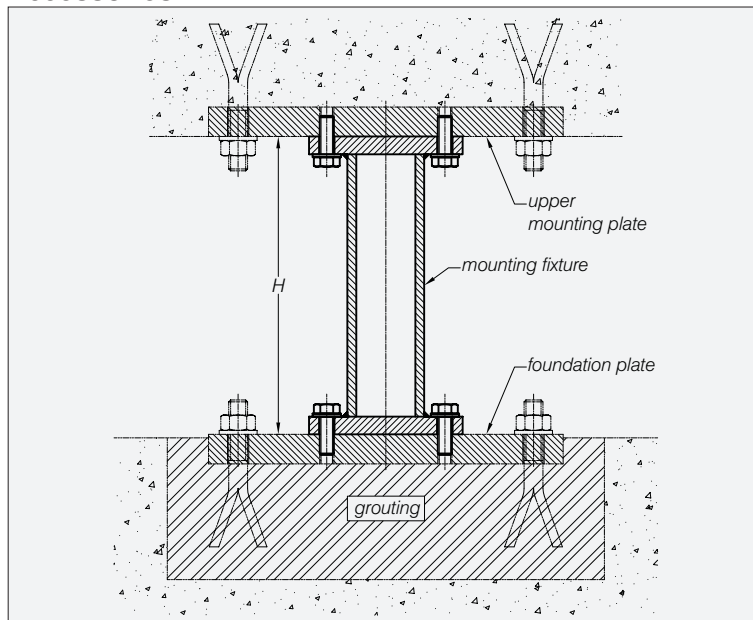
Dimensions



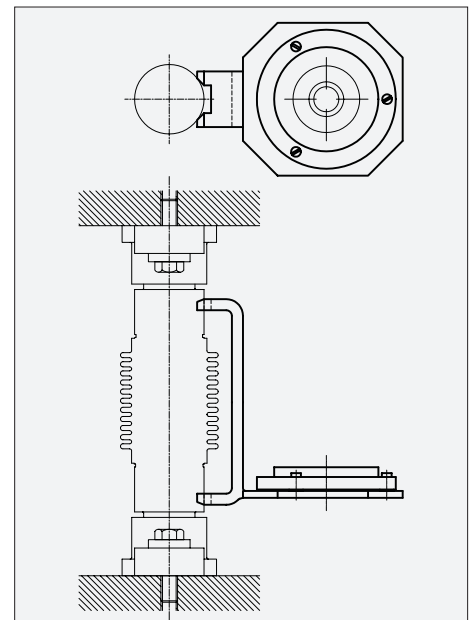
Load cell type	A	B	ØD	H
RC1-250 kN	110	176	68	252
RC1-400 kN	110	176	68	285
RC1-600 kN	130	196	88	300
RC1-900 kN	130	196	88	300

All dimensions in mm. Dimensions and specifications are subject to change without notice. Assembly drawings with installation instructions and CAD files for customer's own applications drawings are available on request.

Accessories



The mounting fixture is used for easy and accurate positioning of the foundation plate.



The Flintec bubble level.