

# Type 53-04 Tension Assembly

## Product Description

Flintec load cell supports are designed to prevent unwanted forces from affecting load cell performance.

The type 53-04 is a self aligning tension assembly.

Especially designed for the UB1, UB6 and ULB load cells.

Standard version: steel, zinc plated.

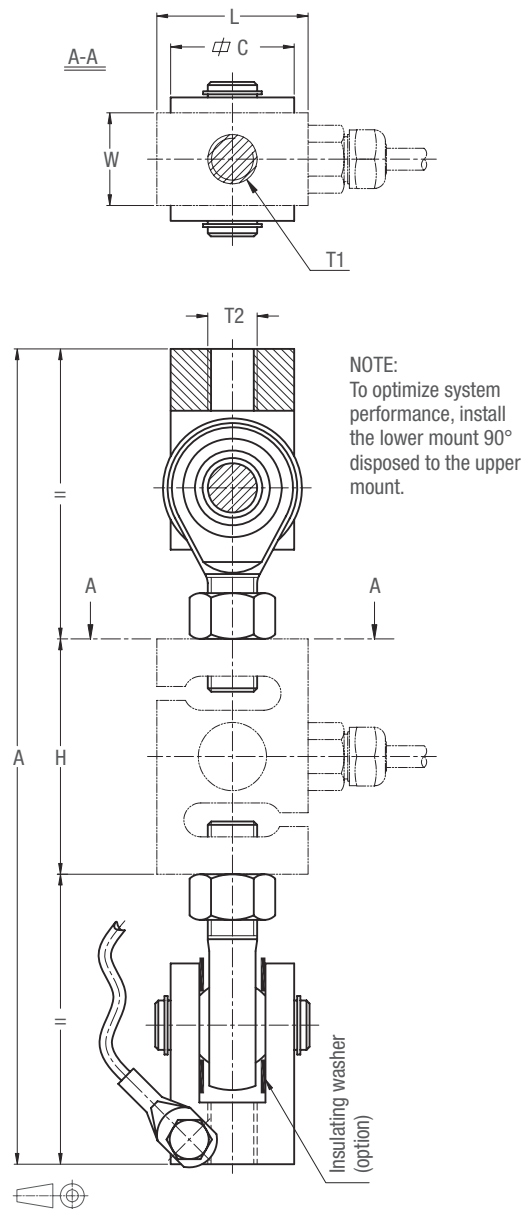
## Key Features

- Capacity range: 100 kg to 5 000 kg
- Very easy to install
- Especially designed for hopper scales, tank weighing systems and hybrid scale conversions
- W&M certified

## Dimensions (in mm)

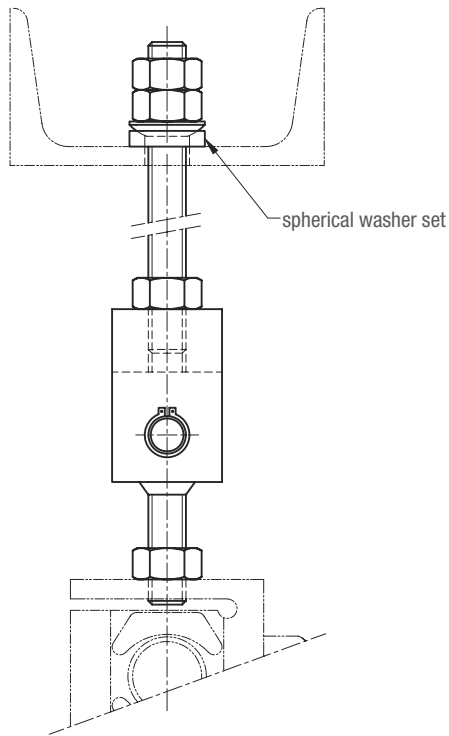


Tension assembly 53-04 and ULB load cell

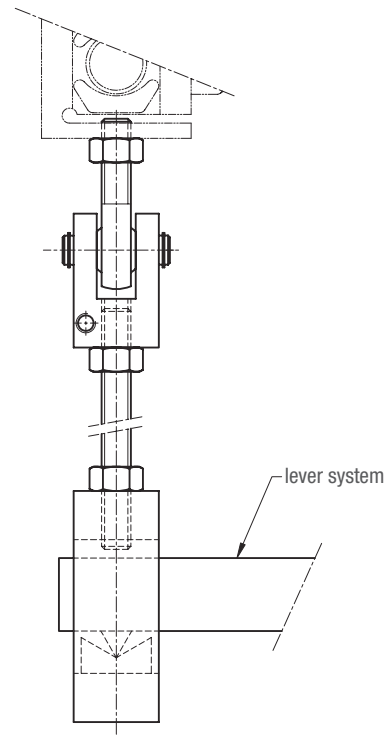


Load Cell Type	Capacity in kg	H	L	W	A	C	T1	T2	max. safe static load in kN
UB6-1/2/5 kN	102/204/510	61.5	61.5	30	220	30	M12	M12	2/4/10
ULB-100/200/500 kg		76.2	49	30	220	30	M12	M12	2/4/10
UB1-10/20 kN	1020/2039	92	86	30	275	40	M16	M16	20/30
ULB-1000 kg		76.2	49	30	264	40	M16	M16	20
ULB-2000 kg		86.1	76.2	30	270	40	M16	M16	30
ULB-3000 kg		88.7	88.7	40	310	50	M20x1.5	M20	45
UB1-50 kN	5099	136	143	43	400	60	M24x2	M24	75
ULB-5000 kg		146	91.2	56.4	420	60	M24x2	M24	75

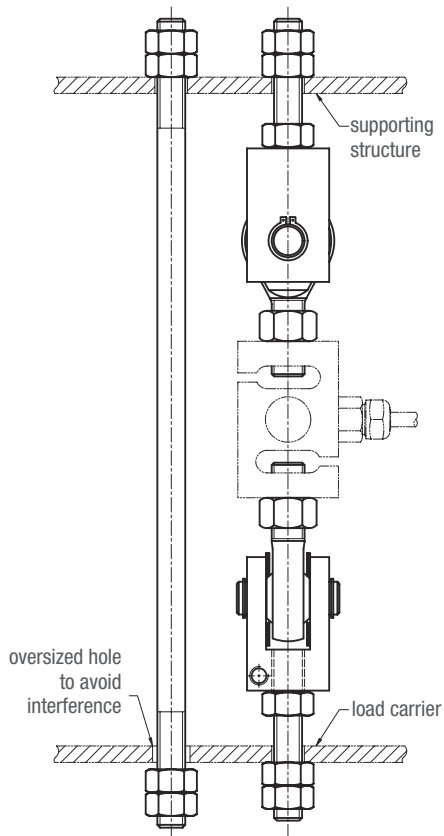
**Examples**



Improved connection to support structure



Hybrid scale conversion



Vertical safety check rod shall always be used in overhead applications.