

Type 52-31 Tension Adapter



Tension adapter 52-31 and SB4 load cell

Flintec load cell supports are designed to prevent unwanted forces from affecting load cell performance.

The Type 52-31 is a self aligning tension adapter assembly.

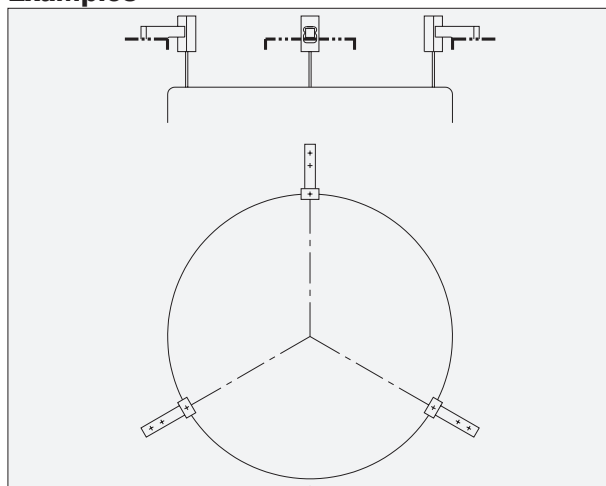
Especially designed for the SB4, SB5, SB6, SB14 and SLB load cells.

Standard version: steel, zinc plated.

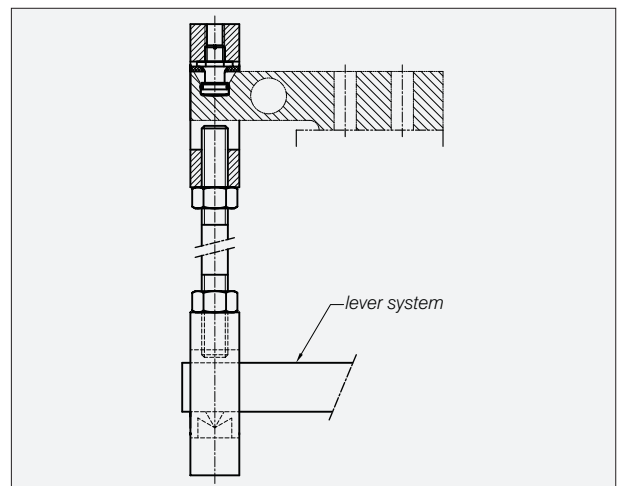
Important Features

- Blind hole load introduction.
- Capacity range: 20 kg to 5 000 kg.
- Very easy to install.
- Especially designed to support suspended loads and for hybrid scale conversions.
- W&M certified.

Examples

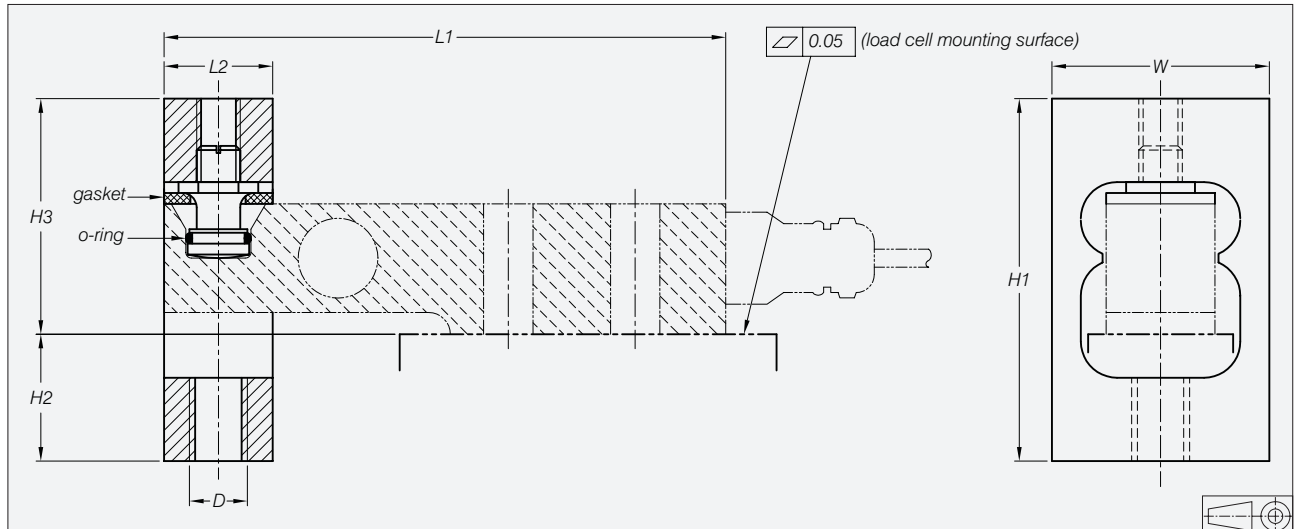


Tank weighing system with 3 load cells



Hybrid scale conversion

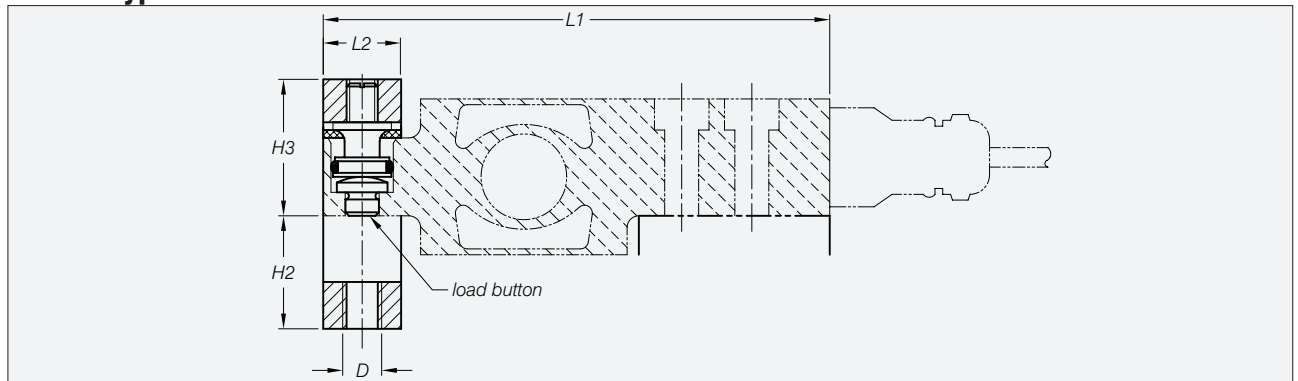
Dimensions



Load Cell Type	Capacity in kg	L1	L2	H1	H2	H3	W	Tension rod D
SB4/SB5-5 kN/10 kN/20 kN	510/1020/2039	155	30	115	45	70	60	M16
SB4/SB5-50 kN	5099	190	40	165	70	95	80	M24
SB6-200 N/500 N/1 kN/2 kN	20.4/51/102/204	130	20	64	29	35	50	M10
SB14-500 lb/1 klb/2.5 klb/5 klb	227/454/1134/2268	139	30	115	50	65	60	M16
SLB-200 lb/500 lb/1 klb/2.5 klb/5 klb	91/227/454/1134/2268	139	30	115	51	64	60	M16

All dimensions in mm. Dimensions and specifications are subject to change without notice. CAD files for customer's own applications drawings are available on request.

Details Type SB6 Load Cell



Details of connection to a load carrier

