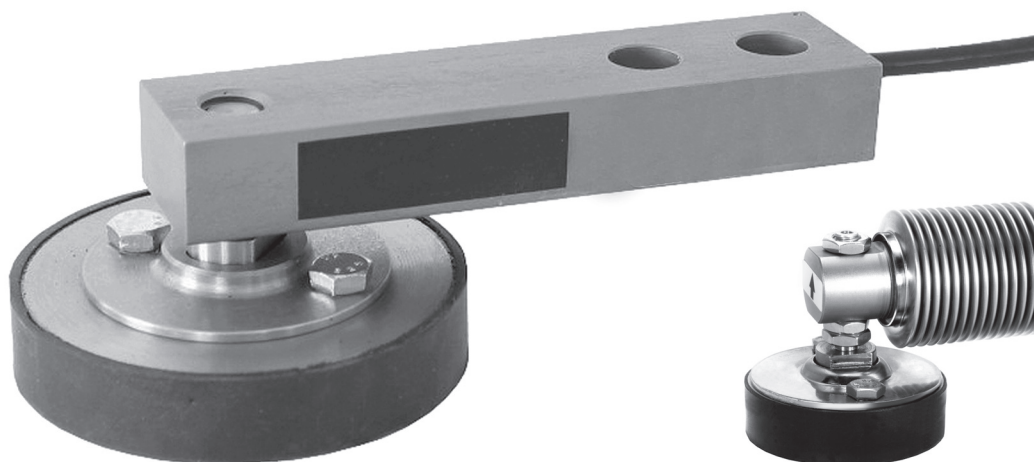


# Type 52-15 Height Adjustable Rubber Foot

200 kg ... 2 t



Height adjustable rubber foot 52-15 and BK2 load cell

10 kg ... 250 kg



Height adjustable rubber foot 52-15 and SB8 load cell

## Product Description

Flintec load cell supports are designed to prevent unwanted forces from affecting load cell performance.

The Type 52-15 is an height adjustable, self aligning rubber foot; combining excellent load introduction with low profile design.

Especially designed for the BK2 (BK2-xxx kg-TM and BK2-xxx kg-TU) and type SB8 load cells.

Available in 3 versions:

- Metric version for BK2: Height adjustable by rotation of the foot
- Unified version for BK2: Height adjustable by rotation of pin from top
- Version for SB8: Threaded loading pin is secured by nuts

Material: stainless steel.

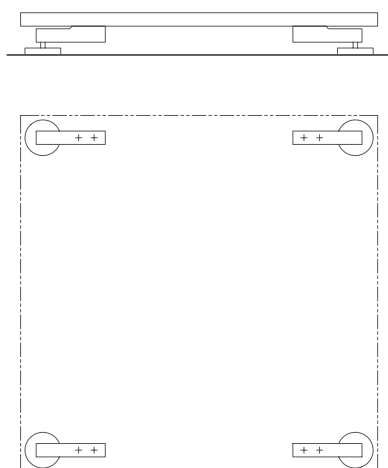
## Key Features

- Capacity range: 200 kg to 2 000 kg for BK2 and 10 kg to 250 kg for SB8
- Low profile
- Available in 3 versions
- Very easy to install
- Especially designed for platform scales
- W&M certified

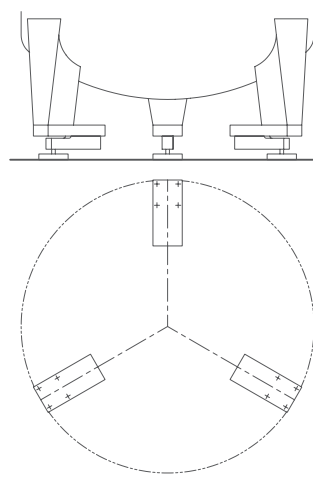
## Available Accessory

- Fixation plate

## Examples

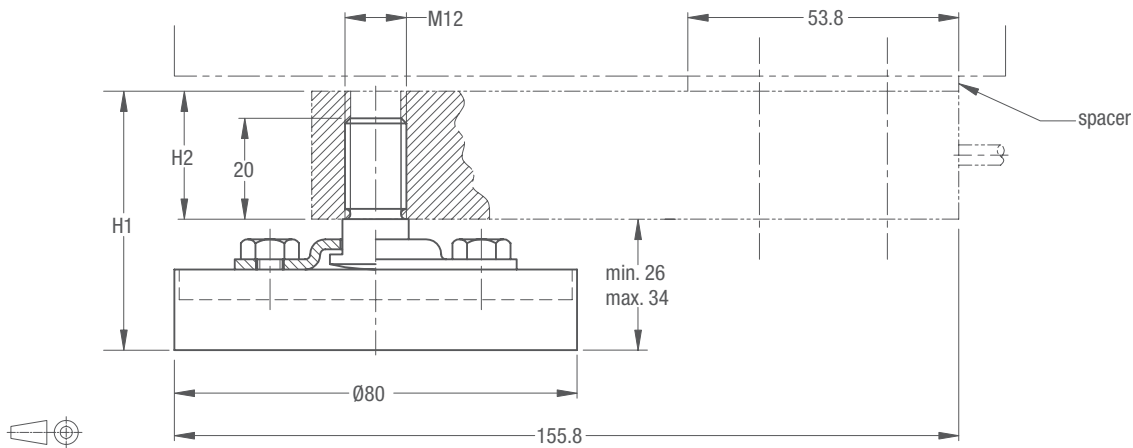


Platform scale with 4 load cells



Tank weighing system with 3 load cells (recommended base plate 52-00 included)

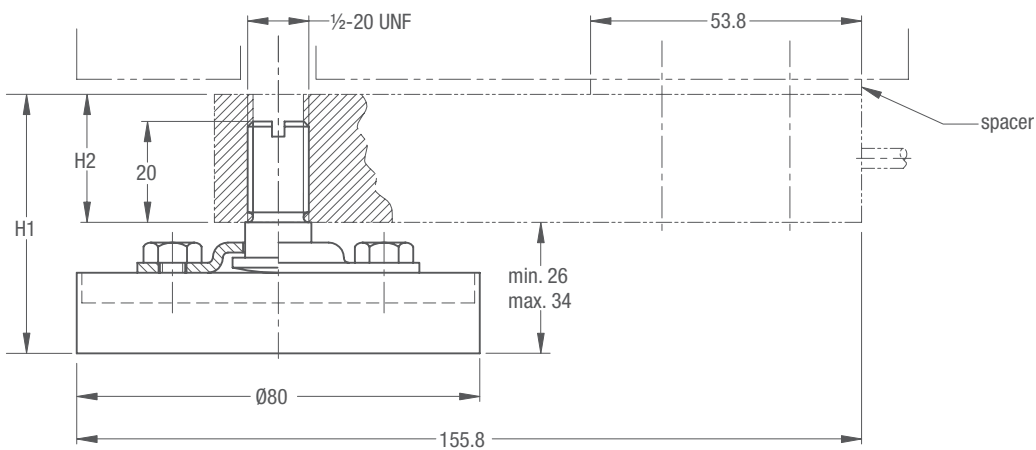
### 52-15 Metric version for BK2 (dimensions in mm)



Load Cell	Total height H1	Load Cell height H2	*Extension above load cell	*Remark:
BK2-200 kg	38.7...46.7	12.7	0...7.3	The height of the BK2 load cell (H2) depends on its maximum capacity. The loading pin has a thread length of 20 mm.
BK2-500 kg	41.9...49.9	15.9	0...4.1	At the minimum total height (H1) the loading pin extends significantly above the load cell for the maximum capacities 200 and 500 kg.
BK2-1 000 kg	45.1...53.1	19.1	0...0.9	This value is calculated in the column "Extension above load cell"
BK2-2 000 kg	51.4...59.4	25.4	n.a.	The height of the spacer should be adapted accordingly.

Height adjustable by rotation of the foot (BK2-xxx kg-TM).

### Unified version for BK2 (dimensions in mm)



Height adjustable by rotation of pin from top (BK2-xxx kg-TU).

### Version for SB8 (dimensions in mm)

