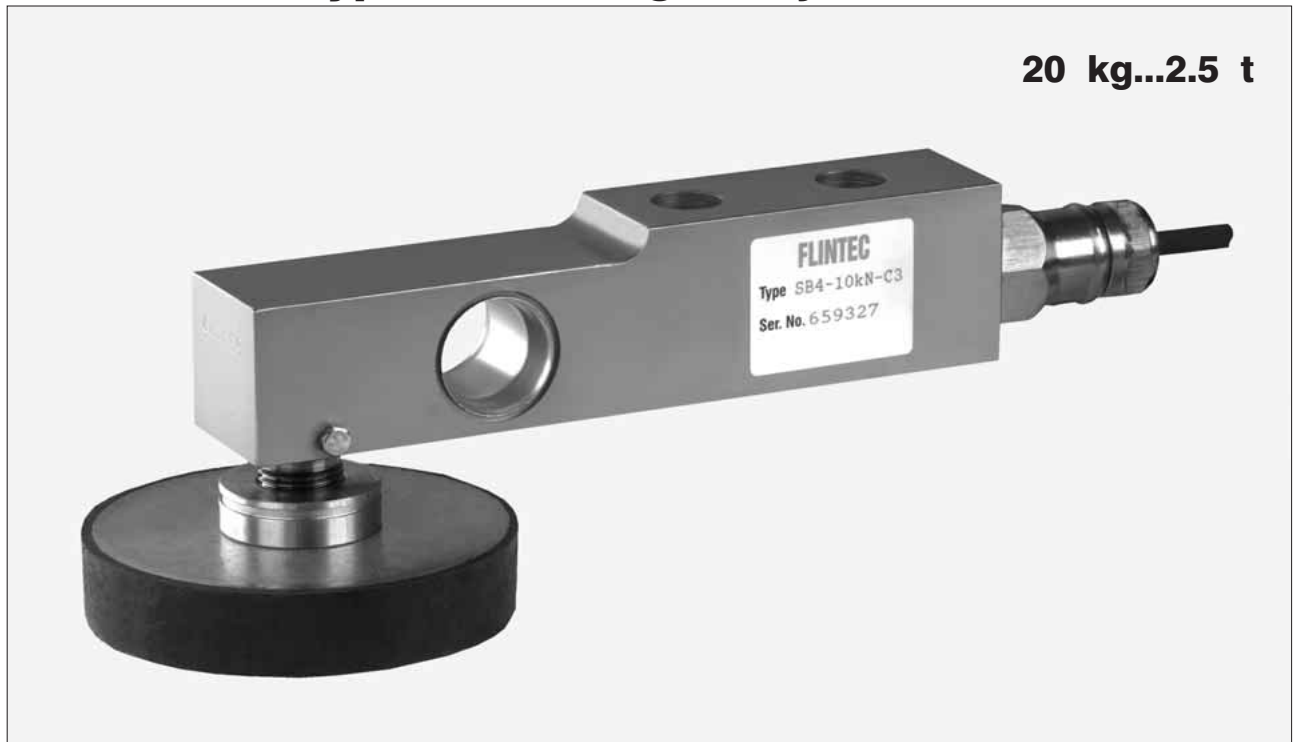


Type 52-10 Height Adjustable Rubber Foot



Height adjustable rubber foot 52-10 and SB4 load cell

Flintec load cell supports are designed to prevent unwanted forces from affecting load cell performance.

The Type 52-10 is an height adjustable, self aligning rubber foot; combining excellent load introduction with low profile design.

Especially designed for the SB4, SB5, SB6, SB14 and SLB load cells.

Material: steel, zinc plated; alternatively stainless steel.

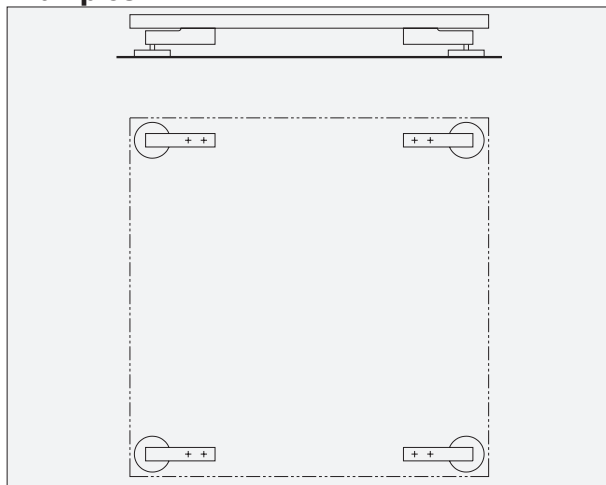
Important Features

- Blind hole load introduction.
- Capacity range: 20 kg to 2 500 kg.
- Low profile.
- Height adjustable by rotation.
- Very easy to install.
- Especially designed for platform scales.
- W&M certified.

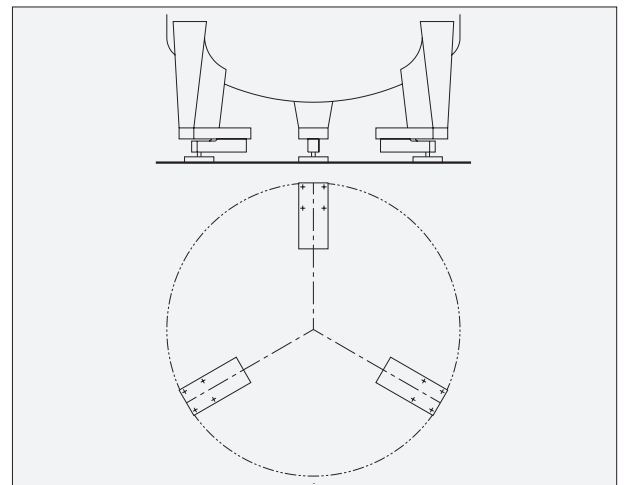
Accessory

- Fixation plate.

Examples

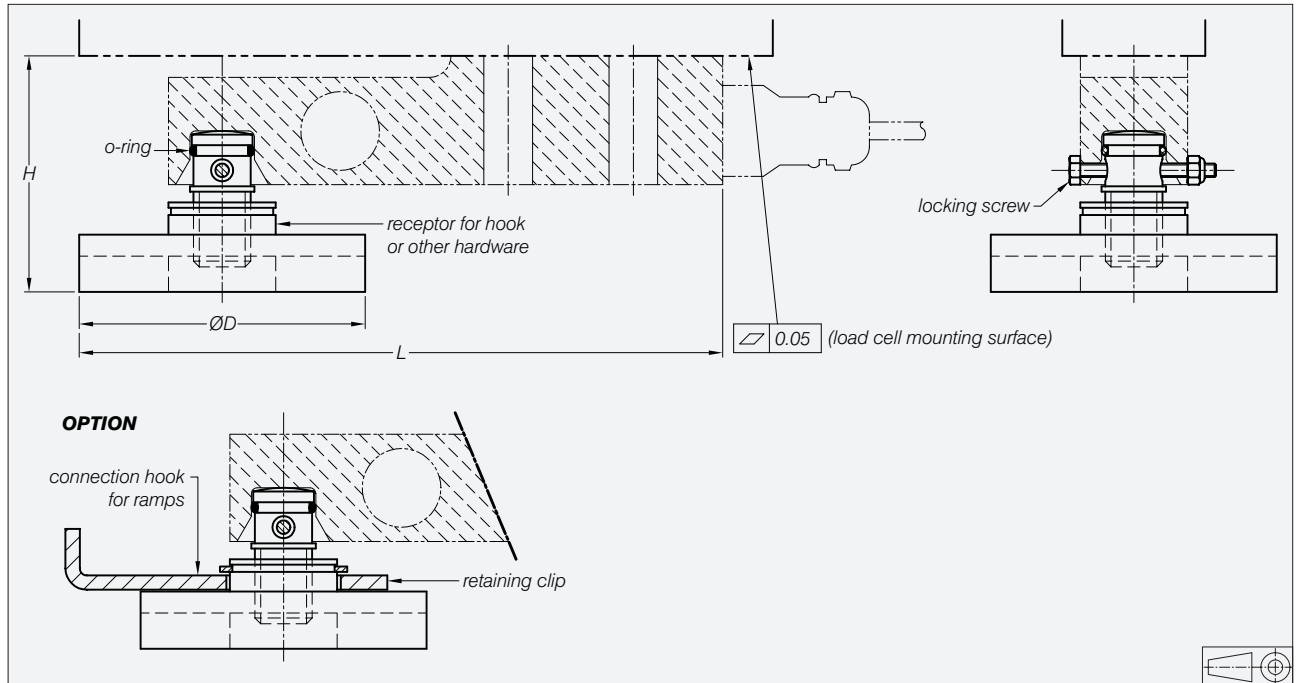


Platform scale with 4 load cells



Tank weighing system with 3 load cells
(recommended base plate 52-00 included)

Dimensions

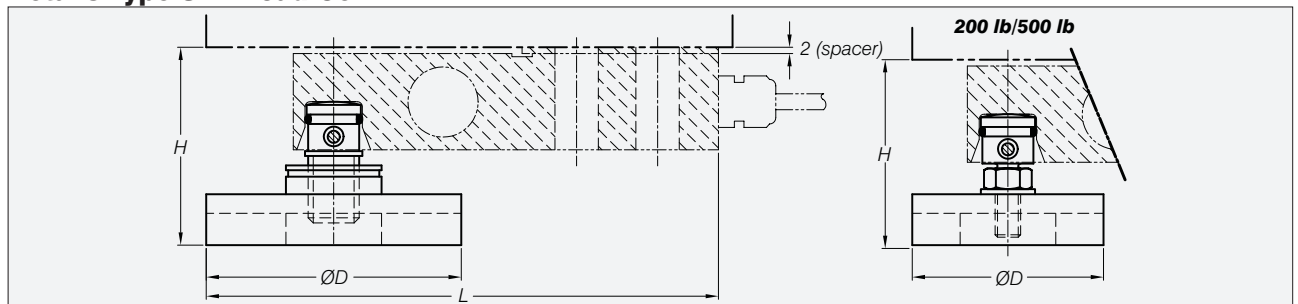


Load Cell Type	Capacity in kg	L	H	D
SB4/SB5-5 kN/10 kN/20 kN	510/1020/2039	180	63...71	80
SB6-200 N/500 N1 kN/2 kN	20.4/51/102/204	150	65...71*	60
SB14-1 klb	454	164	58...66	80
SB14-2.5 klb/5 klb	1134/2268	164	60...68*	80
SLB-200 lb/500 lb	91/227	154	57...63*	60
SLB-1 klb/2.5 klb/5 klb	454/1134/2268	164	59...67*	80

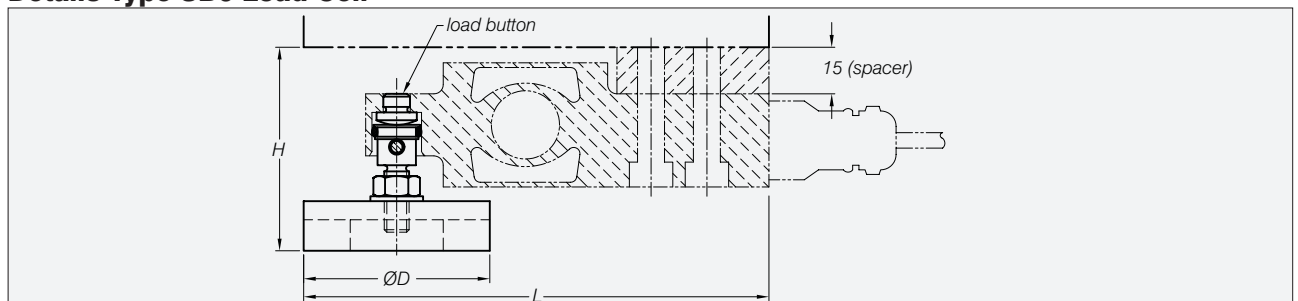
* Including spacer.

All dimensions in mm. Dimensions and specifications are subject to change without notice. CAD files for customer's own applications drawings are available on request.

Details Type SLB Load Cell



Details Type SB6 Load Cell

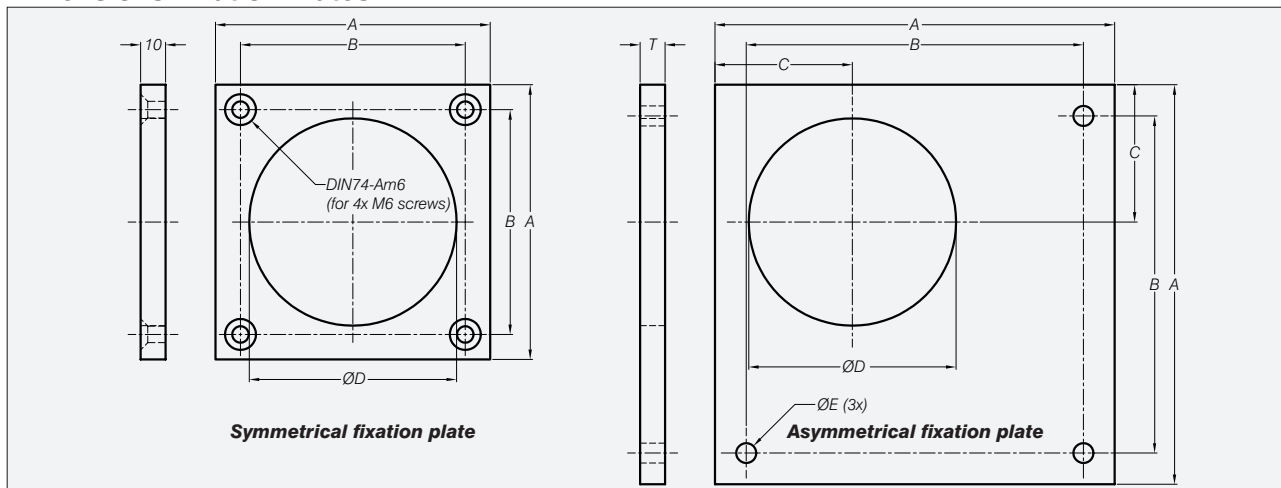


Fixation Plates for Rubber Feet

Material: black polypropylen

- Symmetrical 200 lb...500 lb / 200 N...2 kN.
- Symmetrical 5 kN...20 kN / 1 klb...5 klb.
- Asymmetrical 200 lb...500 lb / 200 N...2 kN.
- Asymmetrical 5 kN...20 kN / 1 klb...5 klb.
- Asymmetrical 50 kN.

Dimensions Fixation Plates



	A	B	C	ØD	ØE	T
Symmetrical 200 lb...500 lb / 200 N...2 kN	90	70	n.a.	62	n.a.	n.a.
Symmetrical 5 kN...20 kN / 1 klb...5 klb	110	90	n.a.	83	n.a.	n.a.
Asymmetrical 200 lb...500 lb / 200 N...2 kN	140	115	45	62	8	10
Asymmetrical 5 kN...20 kN / 1 klb...5 klb	160	135	55	83	8	10
Asymmetrical 50 kN	160	155	65	104	11.5	15