

## Type 52-02 Rubber Foot

**100 kg...10 t**



Rubber foot 52-02 and SB4 load cell

Flintec load cell supports are designed to prevent unwanted forces from affecting load cell performance.

The Type 52-02 is a self aligning rubber foot, combining excellent load introduction with low profile design.

A special low profile foot is available.

The height is adjustable by shims.

Especially designed for the SB4, SB5, SB14 and SLB load cells.

Material: steel, zinc plated; alternatively stainless steel.

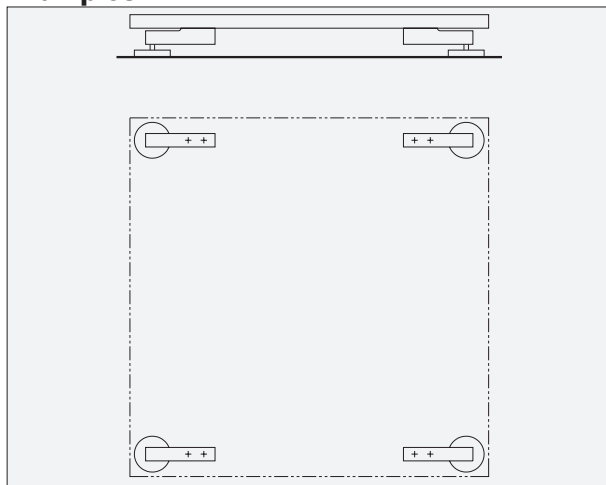
### Important Features

- Blind hole load introduction.
- Capacity range: 100 kg to 10000 kg.
- Low profile.
- Height adjustable with shims.
- Very easy to install.
- Especially designed for platform scales.
- W&M certified.
- A special low profile foot is available.

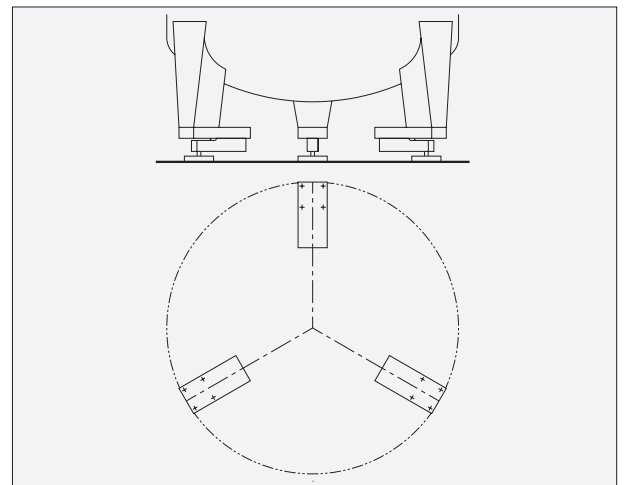
### Accessory

- Fixation plate.

### Examples

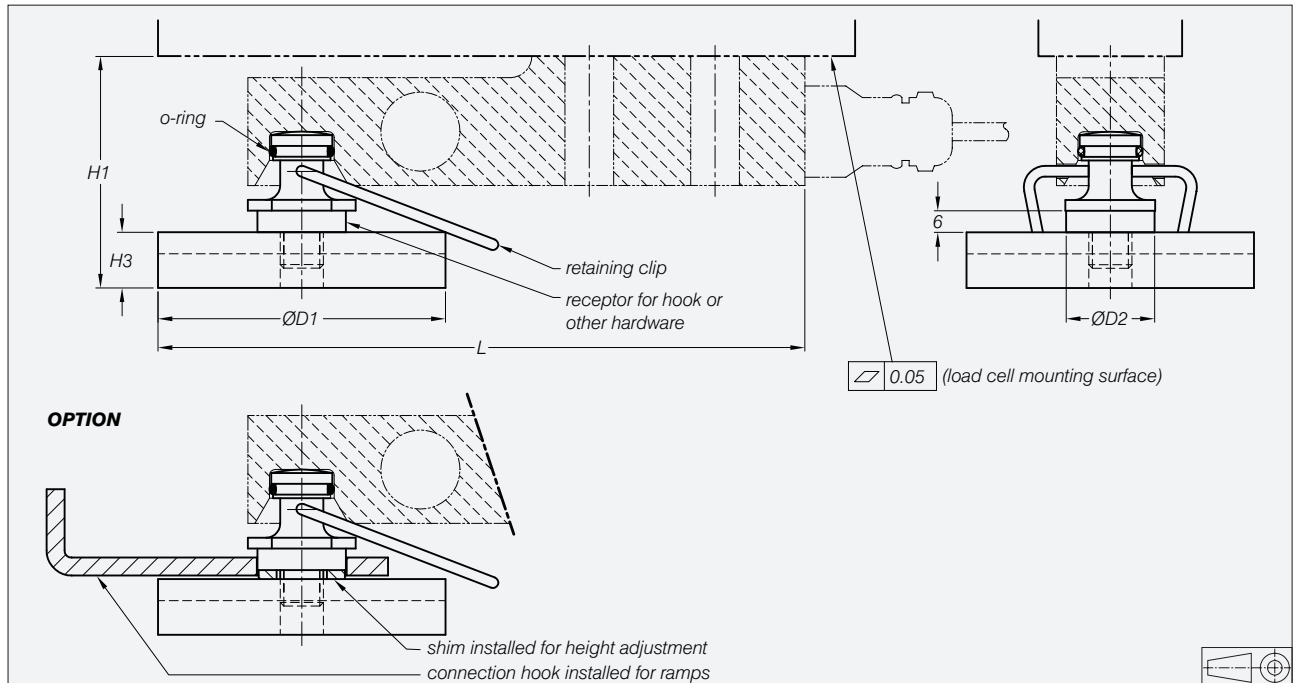


Platform scale with 4 load cells



Tank weighing system with 3 load cells  
(recommended base plate 52-00 included)

## Dimensions



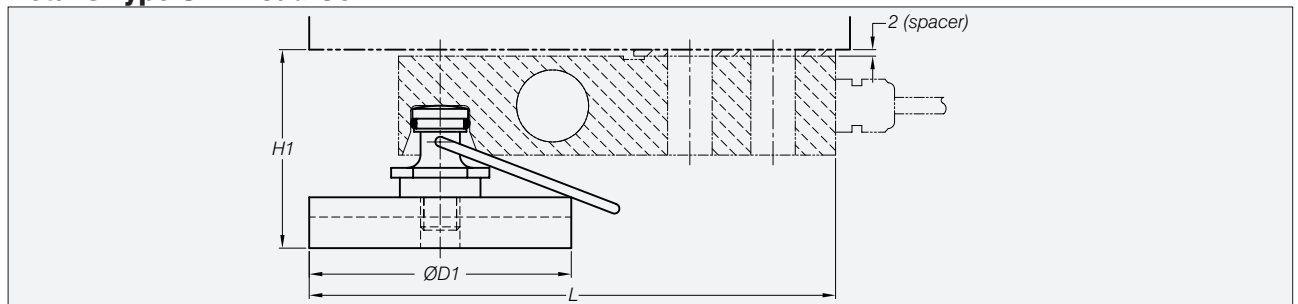
| Load Cell Type           | Capacity in kg | L   | H1  | H2   | H3 | D1  | D2   |
|--------------------------|----------------|-----|-----|------|----|-----|------|
| SB4/SB5-5 kN/10 kN/20 kN | 510/1020/2039  | 180 | 65  | 58   | 16 | 80  | 24.5 |
| SB4/SB5-50 kN            | 5099           | 219 | 90  | n.a. | 18 | 100 | 34.5 |
| SB4-100 kN**             | 10179          | 278 | 115 | n.a. | 26 | 125 | 44   |
| SB14-1 klb               | 454            | 164 | 60  | 53   | 16 | 80  | 24.5 |
| SB14-2.5 klb/5 klb       | 1134/2268      | 164 | 62* | 55*  | 16 | 80  | 24.5 |
| SLB-200 lb/500 lb        | 91/227         | 154 | 61* | 54*  | 16 | 60  | 24.5 |
| SLB-1 klb/2.5 klb/5 klb  | 454/1134/2268  | 164 | 61* | 54*  | 16 | 80  | 24.5 |

\* Including spacer.

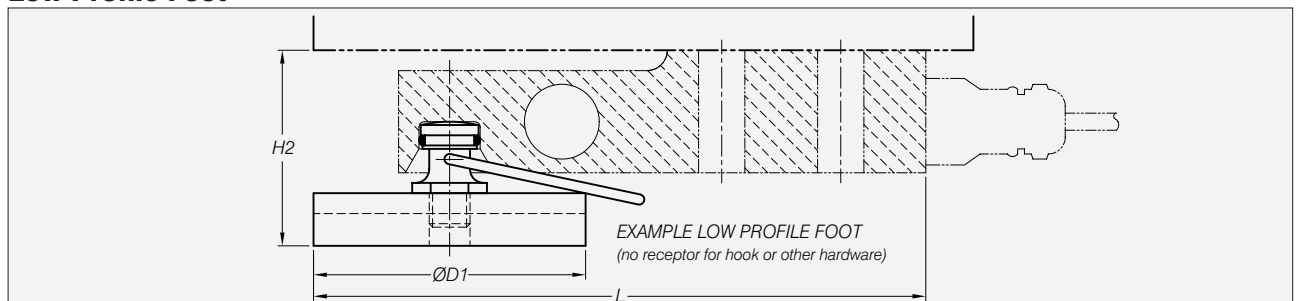
\*\* Material: painted steel. A special retaining clip is available.

All dimensions in mm. Dimensions and specifications are subject to change without notice. CAD files for customer's own applications are available on request.

## Details Type SLB Load Cell



## Low Profile Foot

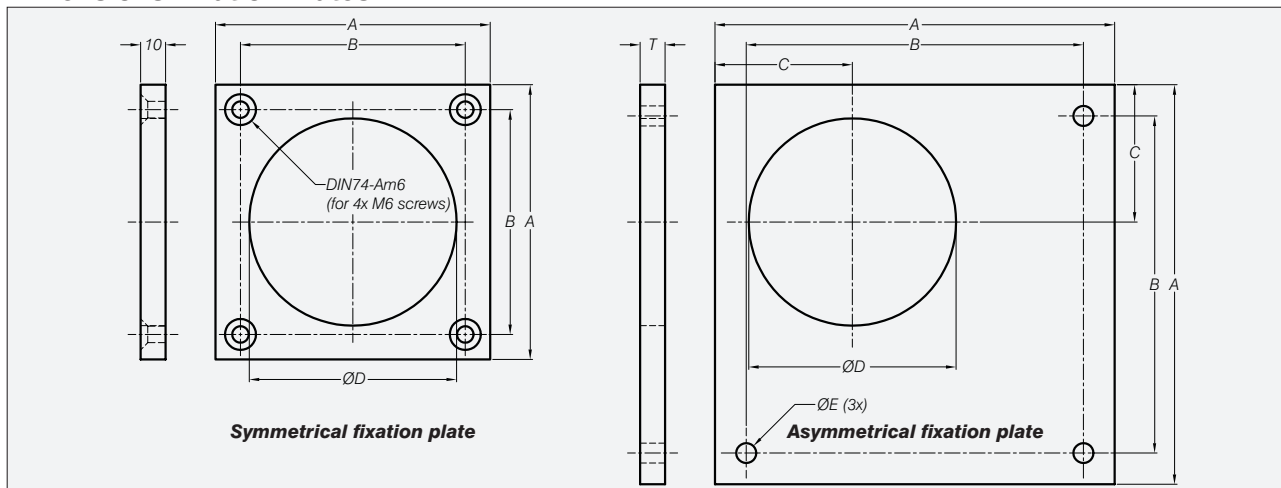


# Fixation Plates for Rubber Feet

Material: black polypropylen

- Symmetrical 200 lb...500 lb / 200 N...2 kN.
- Symmetrical 5 kN...20 kN / 1 klb...5 klb.
- Asymmetrical 200 lb...500 lb / 200 N...2 kN.
- Asymmetrical 5 kN...20 kN / 1 klb...5 klb.
- Asymmetrical 50 kN.

## Dimensions Fixation Plates



|   | A   | B   | C    | ØD  | ØE   | T    |
|---|-----|-----|------|-----|------|------|
| Symmetrical 200 lb...500 lb / 200 N...2 kN  | 90  | 70  | n.a. | 62  | n.a. | n.a. |
| Symmetrical 5 kN...20 kN / 1 klb...5 klb    | 110 | 90  | n.a. | 83  | n.a. | n.a. |
| Asymmetrical 200 lb...500 lb / 200 N...2 kN | 140 | 115 | 45   | 62  | 8    | 10   |
| Asymmetrical 5 kN...20 kN / 1 klb...5 klb   | 160 | 135 | 55   | 83  | 8    | 10   |
| Asymmetrical 50 kN                          | 160 | 155 | 65   | 104 | 11.5 | 15   |