

52-15 height adjustable rubber foot



BK2 version

SB8 version

product description

The 52-15 height adjustable rubber foot is designed specifically for the BK2 and SB8 range of beam load cells. Available in a range of sizes for different load cell capacities, the 52-15 is also available in a range of thread forms. It ensures excellent weighing performance by preventing the effects of unwanted forces.

Available in 3 versions:

Metric version for BK2: Height adjustable by rotation of the foot

Unified version for BK2: Height adjustable by rotation of pin from top

Version for SB8: Threaded loading pin is secured by nuts

applications

Industrial platform scales, low capacity vessel weighing systems.

key features

Capacity range: 200kg to 2,000kg for BK2 and 10kg to 500kg for SB8

Low profile

Stainless steel construction

Available in 3 versions

Very easy to install

Especially designed for platform scales

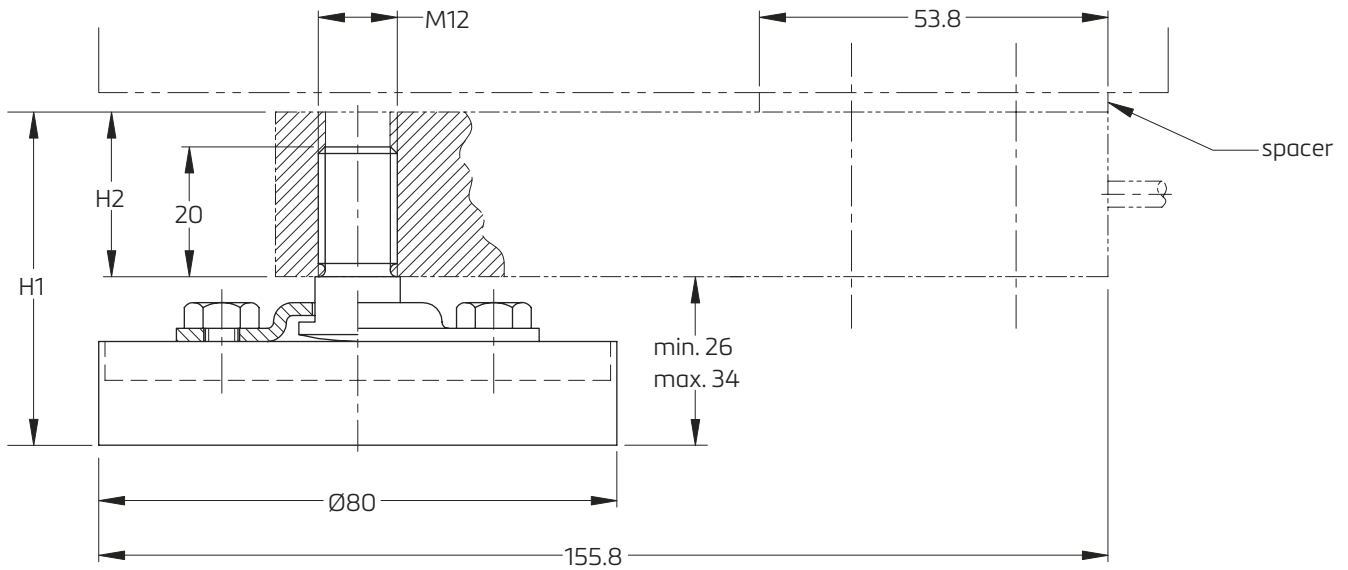
W&M certified

accessories

Fixation plate



metric version for BK2 (mm)

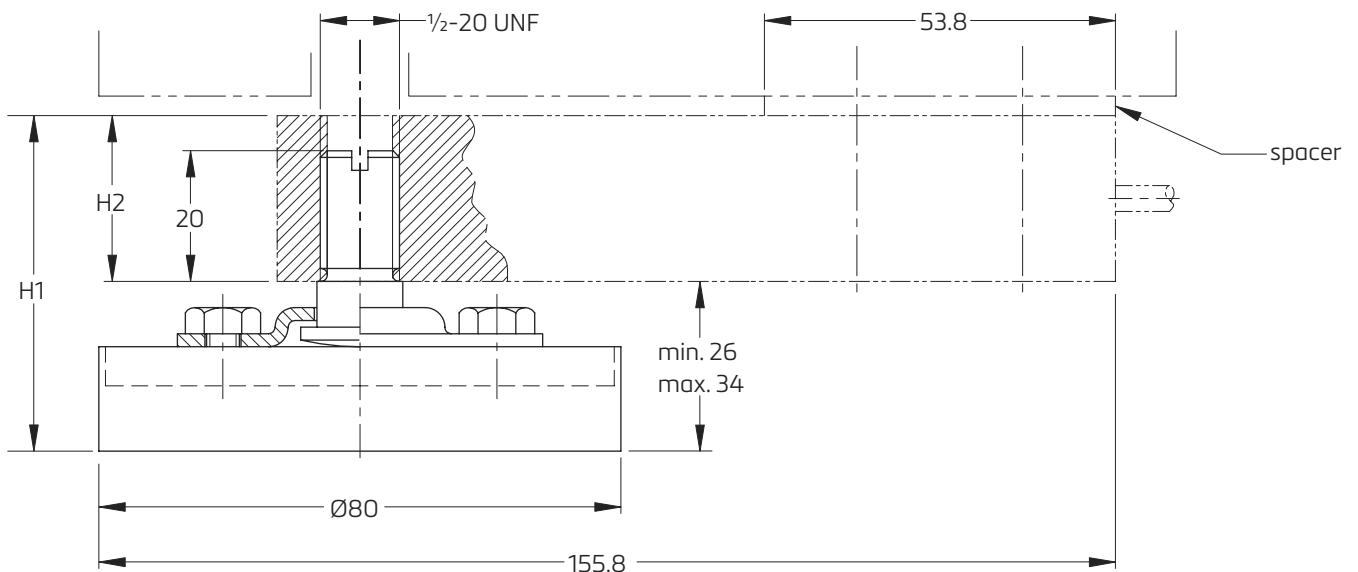


Load cell	Total height H1	Load cell height H2	*Extension above load cell
BK2-200 kg	38.7...46.7	12.7	0...7.3
BK2-500 kg	41.9...49.9	15.9	0...4.1
BK2-1000 kg	45.1...53.1	19.1	0...0.9
BK2-2000 kg	51.4...59.4	25.4	n.a.

*Remark:
The height of the BK2 load cell (H2) depends on its maximum capacity. The loading pin has a thread length of 20mm. At the minimum total height (H1) the loading pin extends significantly above the load cell for the maximum capacities 200 and 500kg. This value is calculated in the column "Extension above load cell". The height of the spacer should be adapted accordingly.

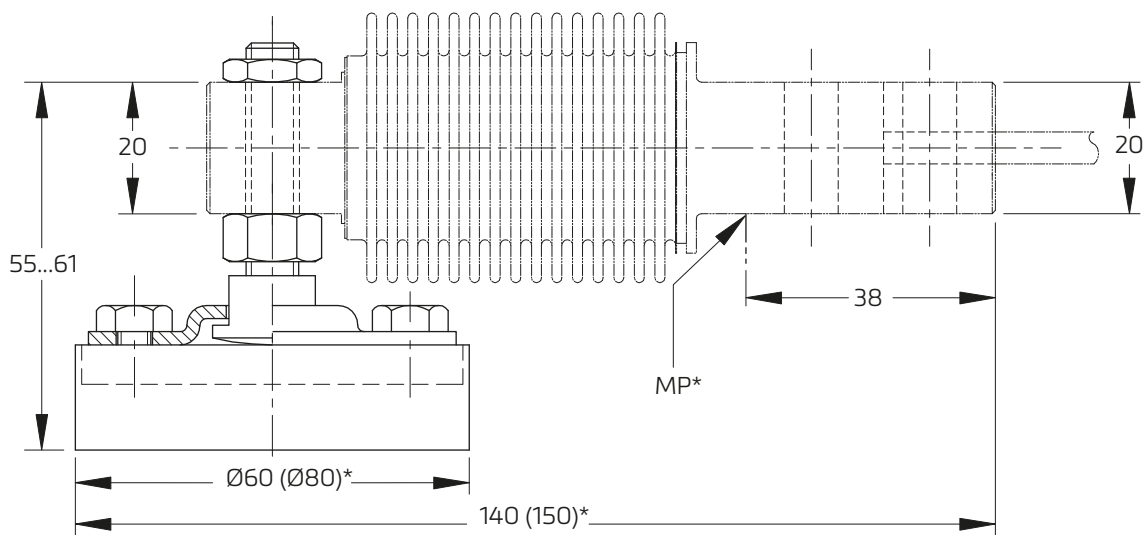
Height adjustable by rotation of the foot (BK2-xxx kg-TM).

unified version for BK2 (mm)



Height adjustable by rotation of pin from top (BK2-xxx kg-TU).

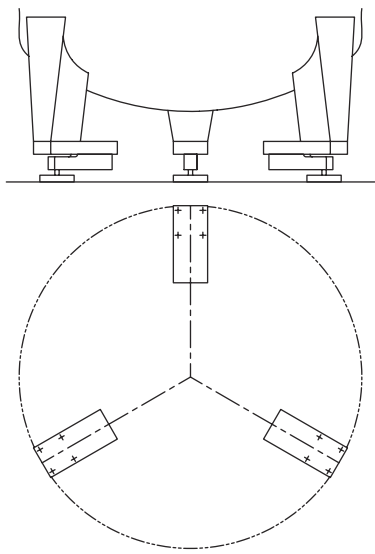
version for SB8 (mm)



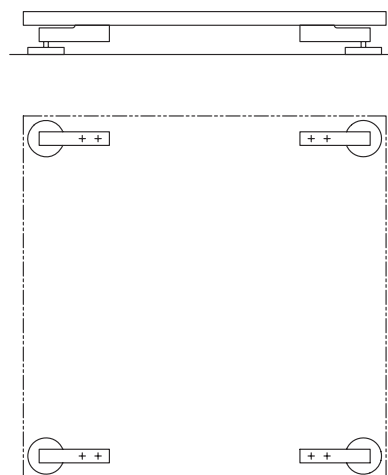
* Valid for SB8-500 kg.
 *MP – Edge of mounting plate

example setups

Tank weighing system with 3 load cells
 (recommended base plate 52-00 included)



Platform scale with 4 load cells



Specifications and dimensions are subject to change without notice.