

Scheme: USB Weight transmitter to be connected to a computer or a PLC

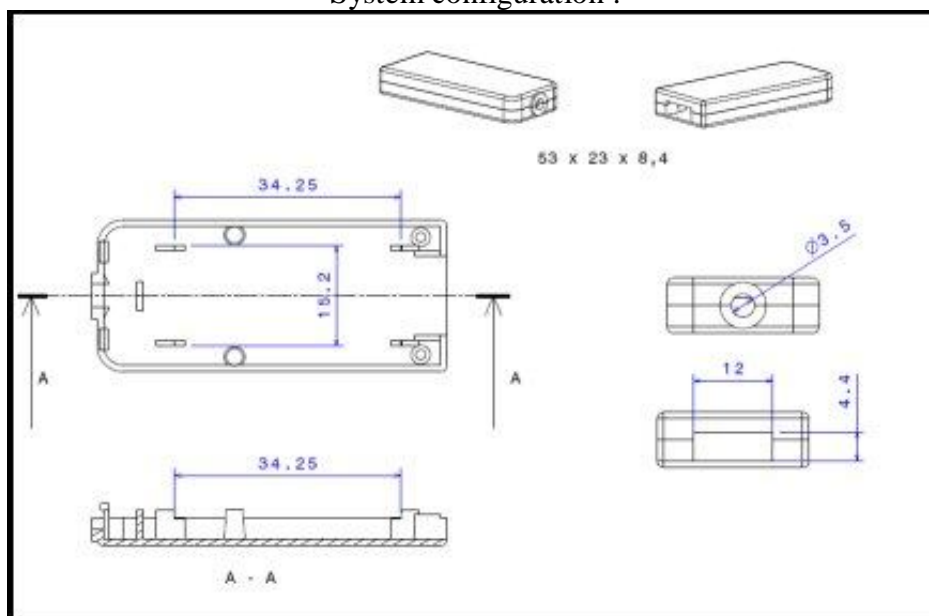
Product Description	Main Features
<p>The universal weight transmitter MUSB of Mesurtec is for easy connection of a load cell to a computer or a PLC.</p> <p>It is quick and even suited for small dynamic weighing and very easy to configure by simple ASCII codes.</p> <p>The power supply is done by the USB-port, so there is no need for special housings or separate cabling: just “plug and measure”.</p> <p>The real resolution of about 100.000 points permits to have an excellent precision in weighing.</p> <p>Outside classical weighing functions the Mesurtec MUSB offers a multitude filters to adapt it to almost any situation.</p> <p>Finally, the wide temperature range makes it suitable for even critical outdoor use.</p>	<ul style="list-style-type: none">▪ Easy conversion of analogue load cell output into a digital USB signal.▪ Internal resolution of ± 160000 points.▪ Sensitive at about $0.1 \mu\text{V}$▪ Conversion rate up to 130 Hz.▪ Electronic calibration without calibration weights possible.▪ High level digital filters (IIR and FIR type).▪ Linearity better than 0.004 %.▪ Connection for 4-or 6-wire.▪ Power supply by USB port.▪ Impedance from 250Ω▪ Attention : OEM product only▪ Made in Europe <p>Options in an external housing</p> <ul style="list-style-type: none">▪ Non-OEM-version▪ 80Ω impedance

MUSB Specifications

Accuracy Class	Internal use (outside legal metrology or for automatism)
Linearity	< 0,004 % F.S.
Excitation	5 VDC by USB port, for external housing 12-24 VDC 5 V DC
Impedance	Standard 80 Ω , with external housing 80 Ω
Analogue input	$\pm 3,3$ mV/V (bipolar, for weighing applications)
Input sensitivity	0.1 μ V / step
Resolution	Internal ± 160000 points (± 17 bits) ; external max. ± 99999 points
Conversion rate	Selectable up to 130 Hz
Digital filtering	FIR et IIR (Bessel), 0.02...5 Hz ; selectable in 8 steps and 10 orders
Analogue input filter	2,8 Hz (20 dB / dec.)
Calibration	By software without calibration weights or classical
Interface	USB 2.0
Weighing fonctions	Zero, gross, net, tare, filtering etc.
Temperature effect	At zero: 20 ppm/ $^{\circ}$ K typ.; max. <40 ppm/ $^{\circ}$ K Spam: 10 ppm/ $^{\circ}$ K typ.; max. <20 ppm/ $^{\circ}$ K
Temperature range	-40 $^{\circ}$ C to +50 $^{\circ}$ C or -40 $^{\circ}$ F to ~120 $^{\circ}$ F
Housing	Plastic housing IP 40, external housing IP65
Dimensions	~55 x 25 x 10 mm, weight about. 30 g
Power supply	By USB port, < 60 mA, external housing due to customers specifications
Options	Customer communication protocol, low impedance
CEM	93/98/EEC et 2004/108/EEC (10V/m) and others.

All dimensions in mm. Technical data are subject to change without prior notice.

System configuration :



MESURTEC Sarl

Tel : (+33/0) 4 72 53 63 71

Fax : (+33/0) 4 72 53 63 72

E-mail : mesurtec@mesurtec.com

www.mesurtec.com