

Picture: Digital weight transmitter MAD-59 for universal connection of load cells

Product description

The digital weight transmitter MAD-59 is a universal, ultra-precise weight transmitter at high speed (720 measures/second). This makes him suited as well for complicated dynamic weighing (badging, conveyor weighing) as for precise static weighing.

A variety of filters permits to find the ideal solution. An optimization software is available for free.

The communication is done by both RS232 and/or RS485 with simple ASCII characters.

Outside the basic functions the almost infinite filtering possibilities made the product the first choice for many customers in all kind of working fields.

Main features

- Easy conversion from analogue load cells to a digital signal.
- Internal resolution of ± 260000 points.
- Speed up to 720 values/sec.
- Electronic calibration without weights
- Various digital filters (IIR and FIR).
- Linearity better than 0.002 %.
- Connection for load cells of 4- or 6-wires.
- Interface RS232 and RS485
- Network function by RS422/485.
- Power supply 12...24 V DC.
- Impedance from 80 Ω only
- High working temperature range

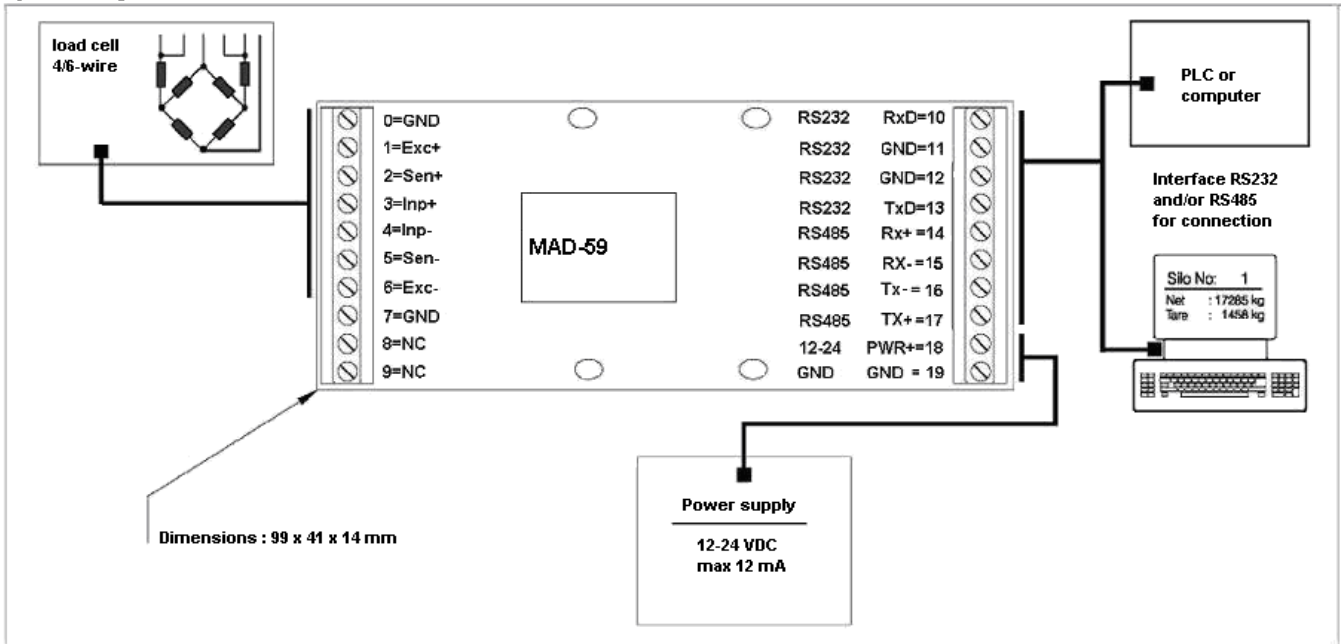
Options

- DIN rail mounting
- Display
- OEM labelling

MAD-59 Specifications	
Precision class	Internal use, class III approval on request
Linearity	< 0,002 % F.S.
Excitation	5 V DC, load cell impedance min. 80 Ω (recommended 12 VDC) / 150-2000 Ω (12-24 VDC)
Analogue load cell input	±2,2 mV/V (bipolar, for weighing applications and force measurement)
Sensibility	0.05 μV / resolution point
Resolution	Internal ±260000 points (±18 bits) ; external max. ±99999 points
Conversion rate	Up to 720 measures/sec, selectable
Digital filter	FIR and IIR (Bessel), 0.25...18 Hz ; programmable in 8 steps et 10 orders
Analogue input filter	16 Hz (20 dB / dec.)
Calibration	By software or classical with calibration weights
Interface	RS485 and/or RS232, full duplex, 9600....115200 Baud
Weighing functions	Zero, gross, badging, stabilized weight etc.
Temperature effect	At zero : 15 ppm/°K typ.; max. <30 ppm/°K On spam : 8 ppm/°K typ.; max. <15 ppm/°K
Temperature range	-40 °C to +50 °C or -40 °F to ~ +120 °F
Housing	protection IP 40, small tin housing, IP65 on request
Dimensions	99 x 41 x 12 mm, weight about 50 g
External power supply	12...24 V DC ±10 %, < 60 mA + load cell consumption
Options	OEM marking, specific protocol, DIN rail mounting, Bluetooth adaptor
CEM	93/98/EEC et 2004/108/EEC and others

All dimensions in mm. Technical specifications can change without prior notice

System configuration:



MESURTEC Sarl

Tel : (+33/0) 4 72 53 63 71

Fax : (+33/0) 4 72 53 63 72

E-mail : mesurtec@mesurtec.com

www.mesurtec.com