

Type PC1 Load Cell



Flintec load cells are designed to meet the most stringent accuracy requirements. Certifications have been obtained from Weights & Measures Authorities, worldwide.

The PC1 platform load cells are available in the capacities 6 kg to 200 kg and include Accuracy Classifications GP and C3 according to OIML R 60; NTEP 5000 d.

They offer stainless steel construction and improved potting, making them suitable for use in tough industrial environments.

Designed to withstand shock and fatigue loading.

The off center load performance according OIML allows a maximum platform size of 600 × 600 mm.

The version PC1B is available with M10 thread in the capacities 50 kg, 75 kg and 100 kg.

Important Features

- Capacity: 6 kg to 200 kg.
- High accuracy.
- Stainless steel construction.
- Protection IP 67.
- Maximum platform size 600 × 600 mm.
- Integral mounting spacer.
- W&M certified for 3000 intervals.
- Factory mutual approved.

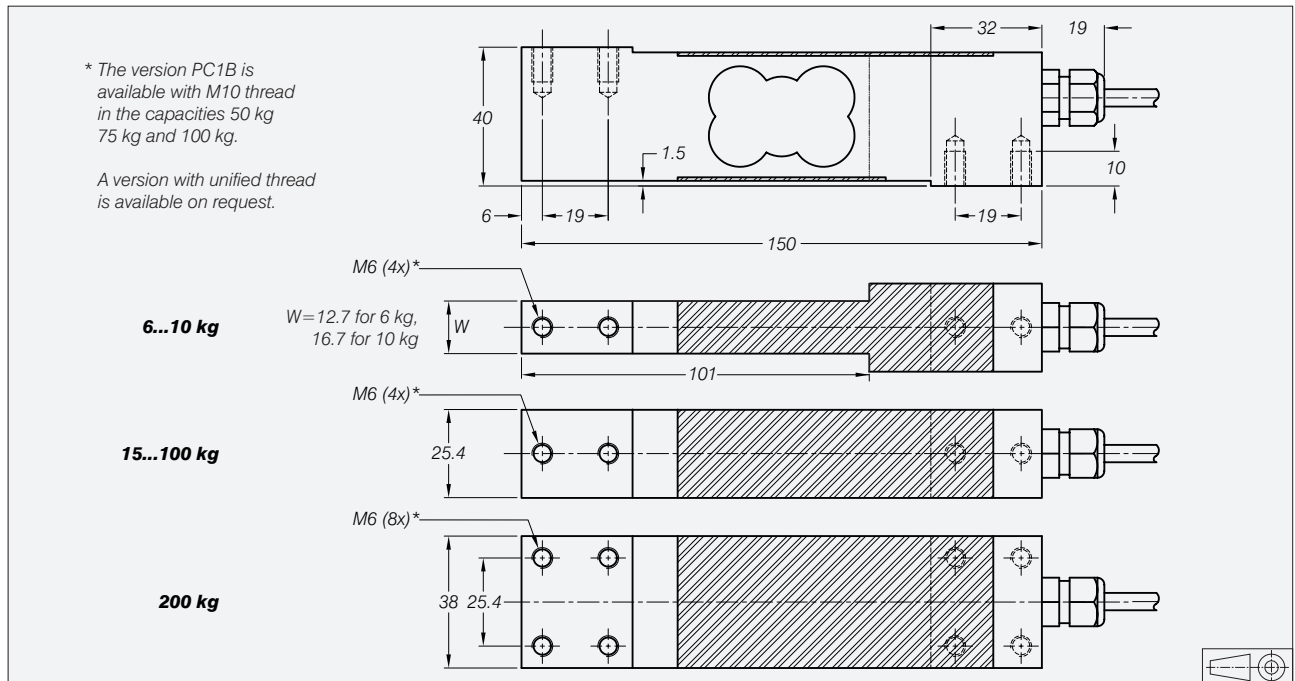
Option

- Explosion proof EEx ia IIC T6...T4.

PC1 Specifications

Maximum capacity (=E _{max})	kg	6 / 10 / 15 / 30 / 50 / 75 / 100 / 200	15 / 30 / 50 / 75 / 100 / 200
Rated Output (=RO)	mV/V	2 ± 5%	
Accuracy class according to OIML R 60		(GP)	C3
Maximum number of verification intervals (n)		n.a.	3000
Minimum load cell verification interval (v _{min})		n.a.	E _{max} /10000
Combined error	%RO	≤ ± 0.040	≤ ± 0.020
Creep error (30 minutes)	%RO	≤ ± 0.060	≤ ± 0.024
Temperature effect on minimum dead load output	%RO/°C	≤ ± 0.0040	≤ ± 0.0012
Temperature effect on sensitivity	%/°C	≤ ± 0.0020	≤ ± 0.0011
Excitation voltage	V	5...15	
Zero balance	%RO	≤ ± 1.0	
Input resistance	Ω	390 ± 10	
Output resistance	Ω	330 ± 25	
Insulation resistance	MΩ	≥ 5000	
Compensated temperature range	°C	-10... +40	
Operating temperature range	°C	-20... +65	
Safe load limit	%E _{max}	200	
Ultimate load	%E _{max}	300	
Safe side load	%E _{max}	100	
Maximum platform size; loading according OIML	mm	350x350 for 6 and 15 kg / 450x450 for 30 kg / 600x600 for other capacities	
Maximum off center distance at maximum capacity	mm	200	
Load cell material		stainless steel 17-4 PH (1.4548)	
Sealing		potted	
Protection according DIN 40.050		IP 67	

Dimensions



All dimensions in mm. Dimensions and specifications are subject to change without notice.

Wiring

- The load cell is provided with a shielded, 4 conductor cable.
- Cable length: 3 m.
- Cable diameter: 5 mm.
- The shield is connected to the load cell body.

