

Type PC22 Load Cell



Flintec load cells are designed to meet the most stringent accuracy requirements. Certifications have been obtained from Weights & Measures Authorities, worldwide.

The PC22 platform load cells are available in the capacities 3 kg to 40 kg and include Accuracy Classifications GP, C3 and C3MR according to OIML R 60.

They offer aluminium construction and improved potting, making them suitable for use in industrial environments.

The off center load performance according OIML allows a maximum platform size of 350 × 350 mm.

The PC22 is available for use in hazardous areas zone 1, 2 (gas) and 21, 22 (dust) according to EEx ia IIC T6...T4 T150°C ATEX.

Important Features

- Capacity: 3 kg to 40 kg.
- High accuracy.
- Aluminium construction.
- Protection IP 66.
- Maximum platform size 350 × 350 mm.
- W&M certified for 3000 intervals.

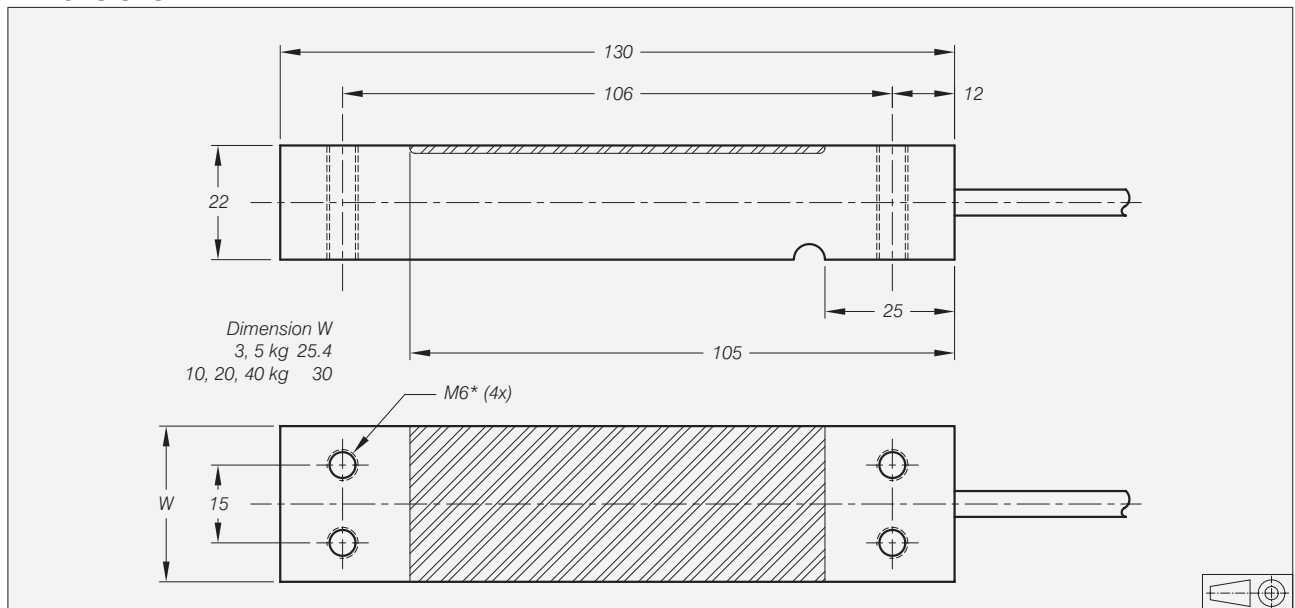
Option

- Explosion protection zone 1, 2, 21 and 22 ATEX.

PC22 Specifications

Maximum capacity	(E _{max})	kg	3 / 5 / 10 / 20 / 40		5 / 10 / 20 / 40
Rated Output	(=RO)	mV/V	2 ± 5%		
Accuracy class according to OIML R 60			(GP)	C3	C3 MR
Maximum number of verification intervals	(n _{max})		n.a.	3000	3000
Minimum load cell verification interval	(v _{min})		n.a.	E _{max} /6000	E _{max} /10000
Combined error	%RO		≤ ± 0.040	≤ ± 0.020	≤ ± 0.020
Creep error (30 minutes) / DR	%RO		≤ ± 0.060	≤ ± 0.016	≤ ± 0.016
Temperature effect on minimum dead load output	%RO/°C		≤ ± 0.0040	≤ ± 0.0015	≤ ± 0.0011
Temperature effect on sensitivity	%/°C		≤ ± 0.0020	≤ ± 0.0010	≤ ± 0.0010
Excitation voltage	V		5...15		
Zero balance	%RO		≤ ± 5		
Input resistance	Ω		390 ± 20		
Output resistance	Ω		330 ± 25		
Insulation resistance (100 V DC)	MΩ		≥ 5000		
Compensated temperature range	°C		-10... +40		
Operating temperature range	°C		-20... +65		
Safe load limit	(E _{lim})	%E _{max}	150		
Ultimate load		%E _{max}	300		
Safe side load		%E _{max}	300		
Maximum platform size	mm		350×350		
Load cell material			aluminium		
Sealing			potted		
Protection according DIN 40.050			IP 66		

Dimensions



All dimensions in mm. Dimensions and specifications are subject to change without notice.

Mounting bolts M6 8.8; torque 10 Nm. Torque value assumes oiled threads.

* Unified thread 1/4-20 UNC is available.

Wiring

- The load cell is provided with a shielded, 4 conductor cable (AWG 24). Cable jacket polyurethane.
- Cable length: 0.5 m.
- Cable diameter: 5 mm.
- The shield is connected to the load cell body.

