

Type KA-1 Junction Box, Aluminium



The painted aluminium junction box is designed to connect 3 or 4 load cells in parallel.

One gland is sealed as indicated in the drawing.

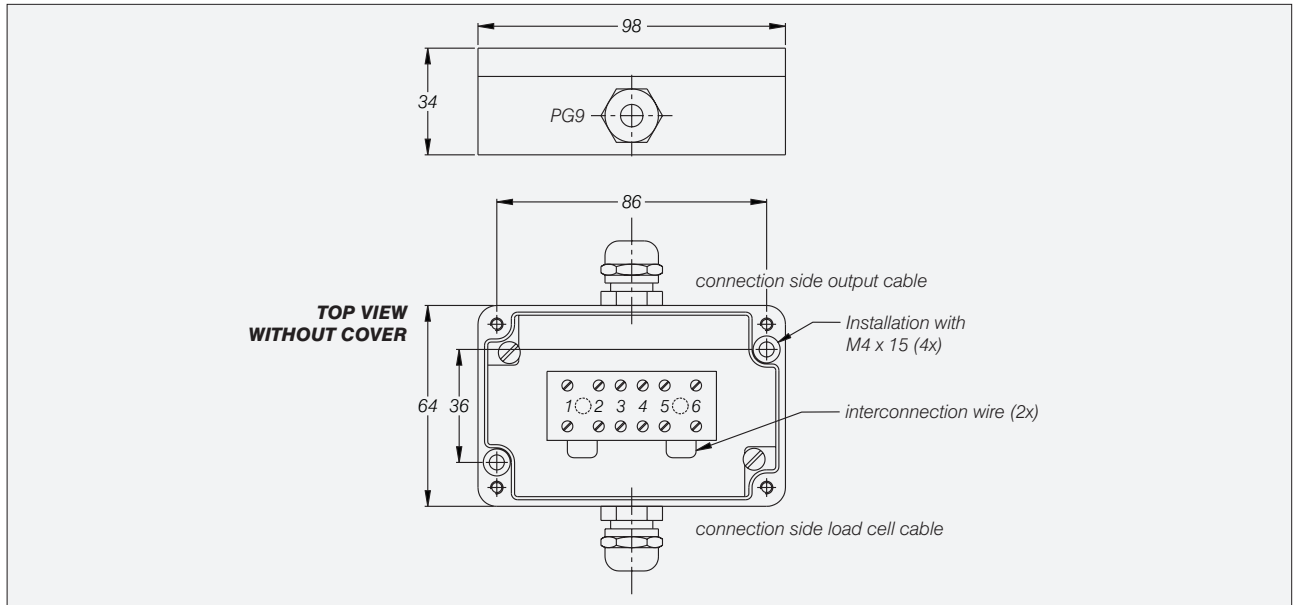
The junction box can be connected with a shielded 6-wire cable to the instrumentation.

Corner trimming by resistors.

Important Features

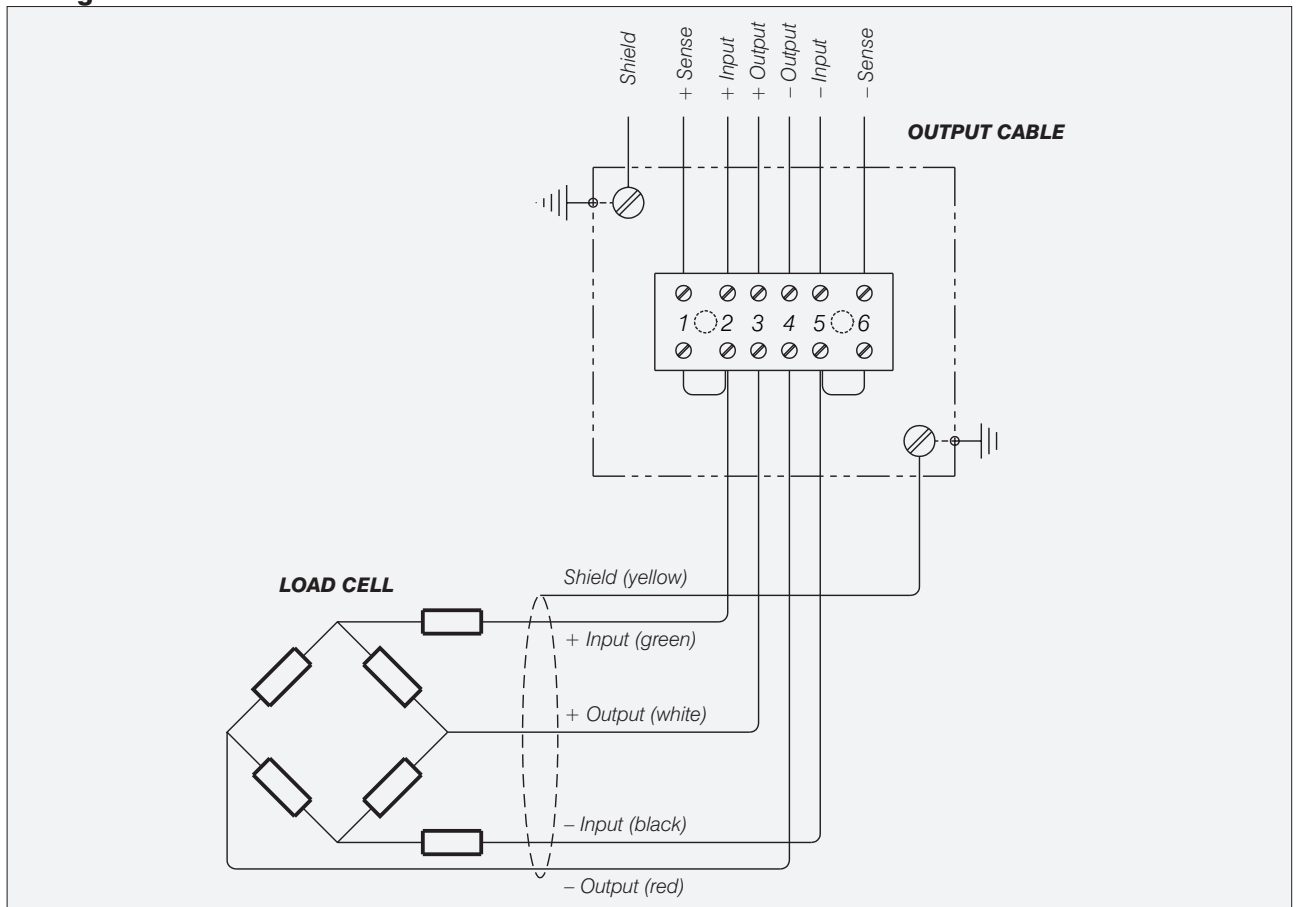
- Connection for 3 or 4 load cells.
- Rugged aluminium industrial box.
- Protection IP 66.

Dimensions



All dimensions in mm. Dimensions and specifications are subject to change without notice.

Wiring



Note:

- PG9 for cable diameter 4..8 mm.