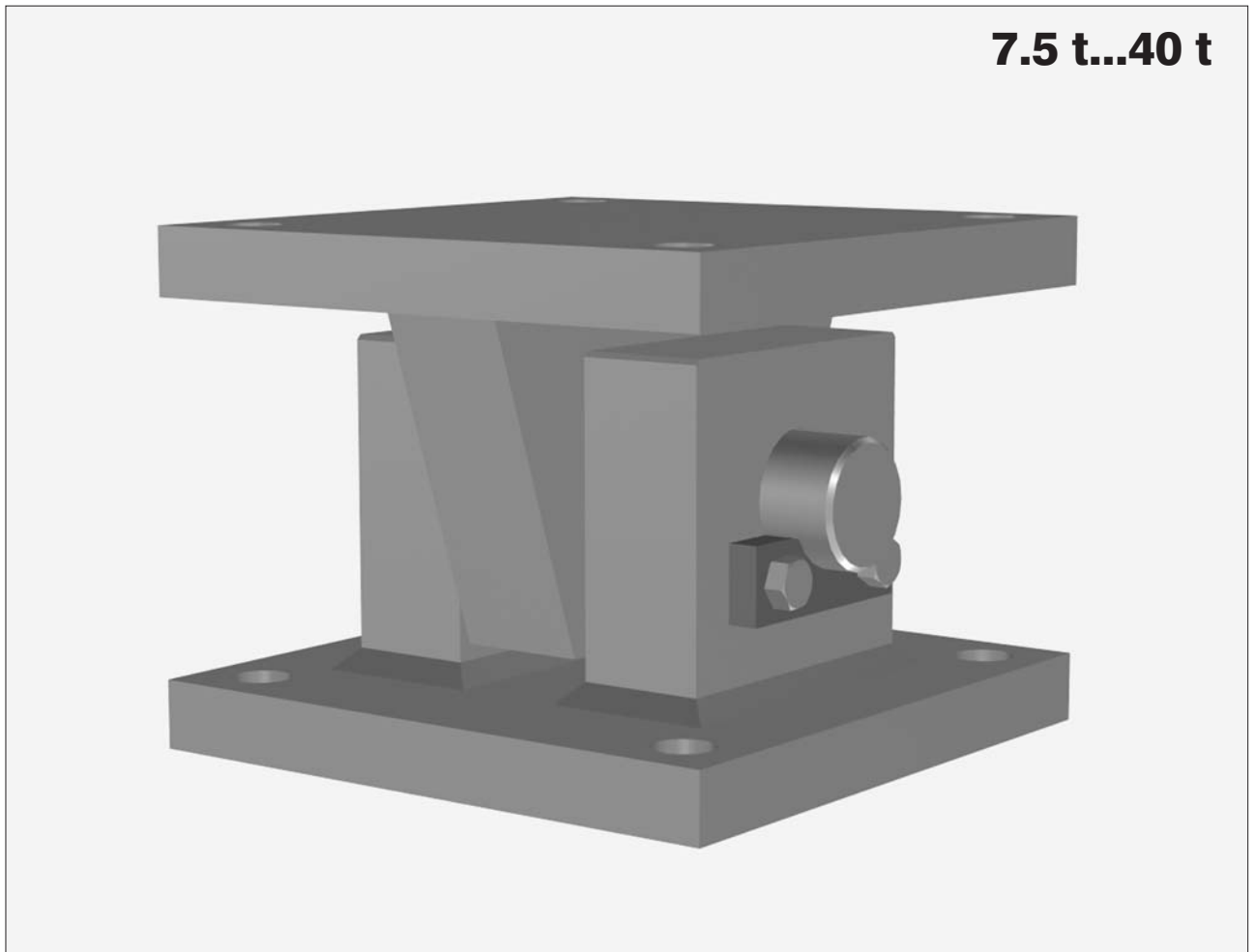


Type 56-02 Dummy Support

7.5 t...40 t



The type 56-02 dummy supports have same height and can be combined with corresponding capacity of weigh modules type 55-20, 55-01-10 and 55-01-07C/D rocker system.

The dummy supports are typically used in scale systems for level control in tanks. They replace two of the weigh modules in tanks on 3 or 4 legs and give a very cost effective scale solution.

The supports are dimensioned to take side forces in any horizontal direction up to 100% of maximum capacity.

Lift off forces are safe to 50% for the 7.5/15/22.5 t unit and to 100% for the 30/40 t unit.

If foundation plates and tank feet are prepared also with mounting holes for the weigh module, the scale can later easily be upgraded to a high accuracy load cell system by replacing the dummy supports with weigh modules.

Material: Mild steel, zinc plated.

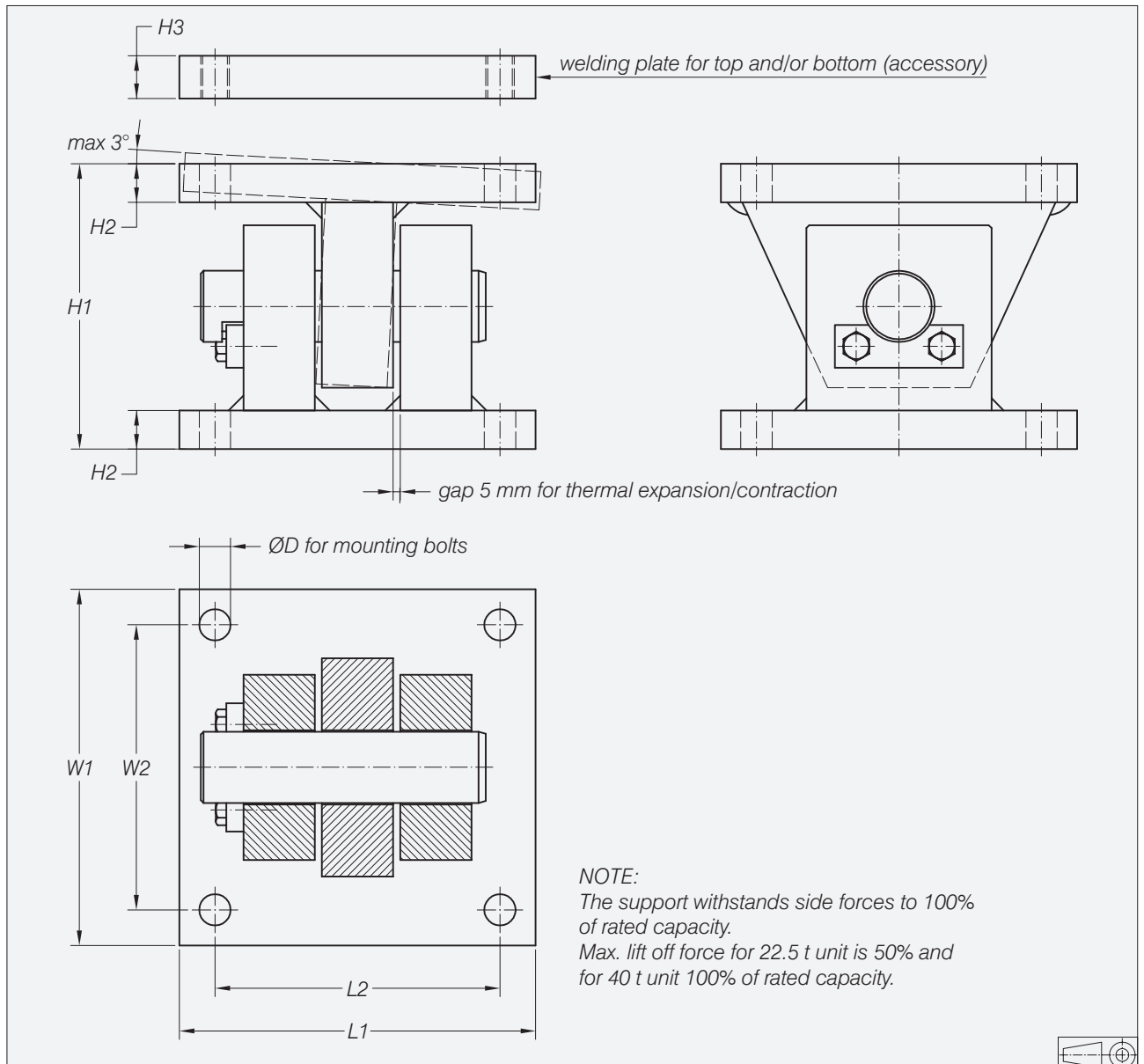
Important Features

- Capacities 7.5 t to 40 t.
- Easy installation by bolting or welding.
- Tolerates large angular errors for tank foot and foundation plate.
- Allows thermal expansion/contraction.
- Very rugged design.

Accessory

- Welding plates top and /or bottom

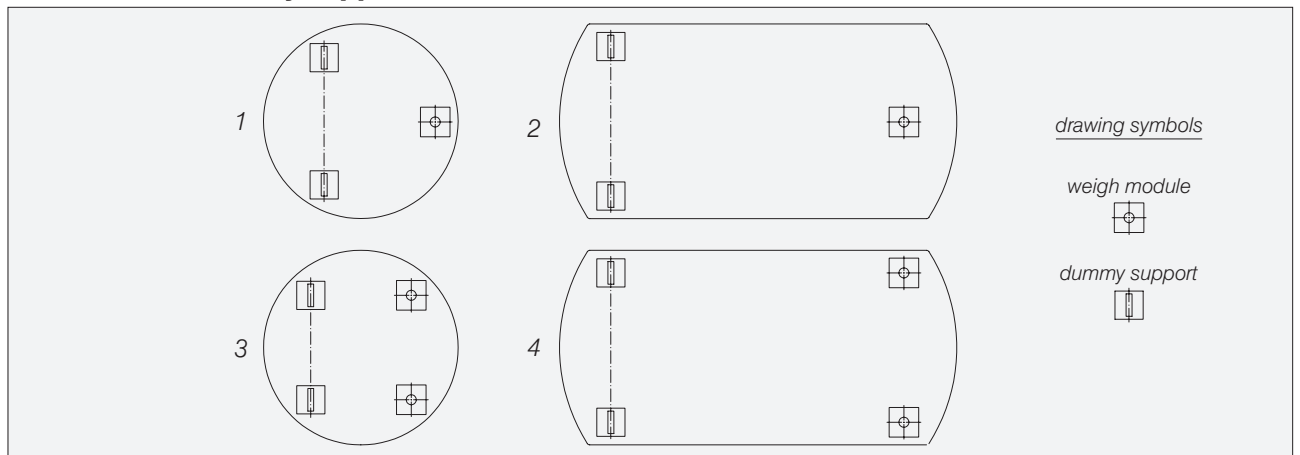
Dimensions



Capacity	Matches height of	H1	H2	H3	L1	L2	W1	W2	D	Mounting bolts
7.5/15/22.5 t	55-20 / 55-01-10 / 55-01-07D	130	22	25	180	140	180	140	18.5	M16 8.8
30/40 t	55-20 / 55-01-07C*	200	27	30	250	200	250	200	22	M20 8.8

* Requires special cups for 40 t.
 All dimensions in mm. Dimensions and specifications are subject to change without notice.
 CAD files for customer's own application drawings are available on request.

Orientation of dummy support



Compression Load Cells