

Picture: Digital weight transmitter MAD-58 for universal connection of load cells

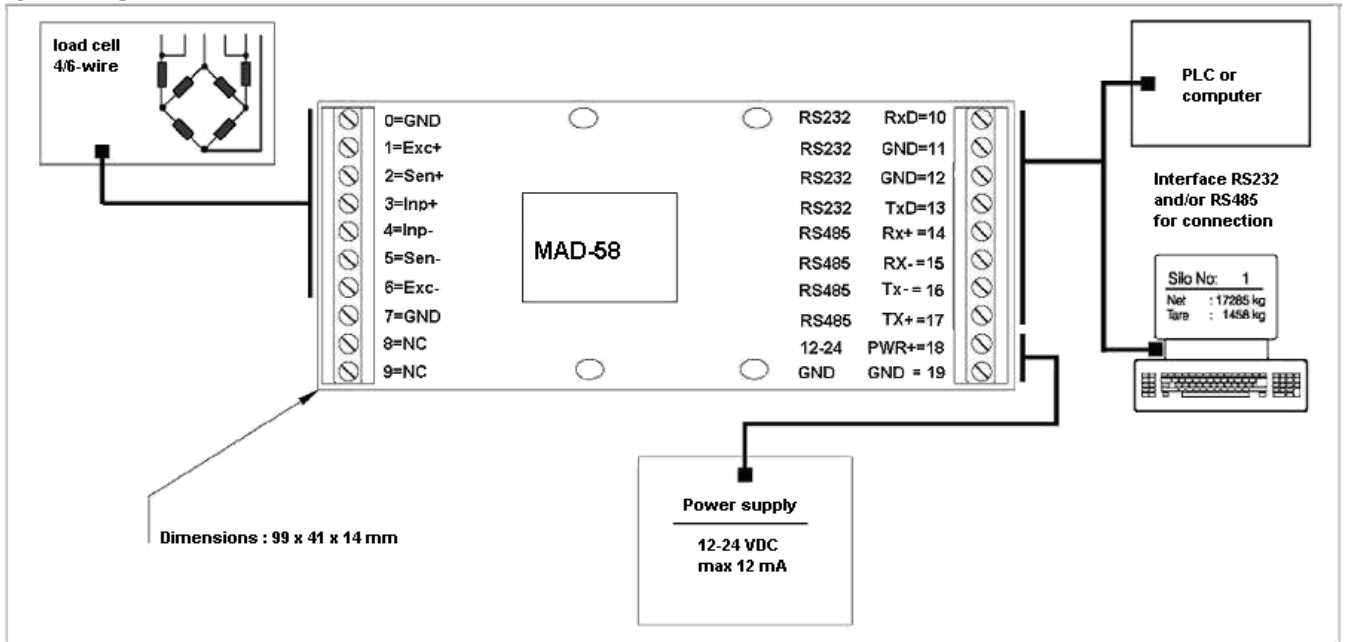
Product description	Main features
<p>The digital weight transmitter MAD-58 is the economic solution for weighing where reliability and a solid precision are the first requirements.</p> <p>The speed of 90 Hz and the precision from 0,1 μV makes him however suited for small dynamic applications as well as for high precision applications in static weighing.</p> <p>A variety of filters permits to find the ideal solution. An optimization software is available for free.</p> <p>The communication is done by RS232 and on request on RS485 with simple ASCII characters.</p> <p>The MAD-58 is oversized in quality to avoid any production problem.</p>	<ul style="list-style-type: none">▪ Easy conversion from analogue load cells to a digital signal.▪ Internal resolution of ± 130000 points.▪ Speed up to 90 values/sec.▪ Electronic calibration without weights▪ Programmable digital filters of different cutting frequencies and orders.▪ Linearity better than 0.002 %.▪ Connection for load cells of 4- or 6 wires.▪ Serial RS232, RS485 on request.▪ Power supply 12...24 V DC.▪ Impedance from 80 Ω only▪ High working temperature range <p>Options</p> <ul style="list-style-type: none">▪ DIN rail mounting▪ Display▪ OEM labelling

MAD-58 Specifications

Precision class	Internal use, class III approval on request
Linearity	< 0,002 % F.S.
Excitation	5 V DC, load cell impedance min. 80 Ω (recommended 12 VDC) / 150-2000 Ω (12-24 VDC)
Analogue load cell input	±2,2 mV/V (bipolar, for weighing applications and force measurement)
Sensibility	0.1 μV / resolution point
Resolution	Internal ±130000 points (±17 bits) ; external max. ±99999 points
Conversion rate	Up to 90 measures/sec, selectable
Digital filter	IIR (Bessel), 0.02...5 Hz ; programmable in 8 steps et 10 orders
Analogue input filter	3 Hz (20 dB / dec.)
Calibration	By software or classical with calibration weights
Interface	RS485 and/or RS232, full duplex, 9600....115200 Baud
Weighing functions	Zero, gross, badging, stabilized weight etc.
Temperature effect	At zero : 15 ppm/°K typ.; max. <30 ppm/°K On spam : 8 ppm/°K typ.; max. <15 ppm/°K
Temperature range	-40 °C to +50 °C or -40 °F to ~ +120 °F
Housing	protection IP 40, small tin housing, IP65 on request
Dimensions	99 x 41 x 12 mm, weight about 50 g
External power supply	12...24 V DC ±10 %, < 60 mA + load cell consumption
Options	OEM marking, specific protocol, DIN rail mounting, Bluetooth adaptor
CEM	93/98/EEC et 2004/108/EEC and others

All dimensions in mm. Technical specifications can change without prior notice

System configuration:



MESURTEC Sarl

Tel : (+33/0) 4 72 53 63 71

Fax : (+33/0) 4 72 53 63 72

E-mail : mesurtec@mesurtec.com

www.mesurtec.com