

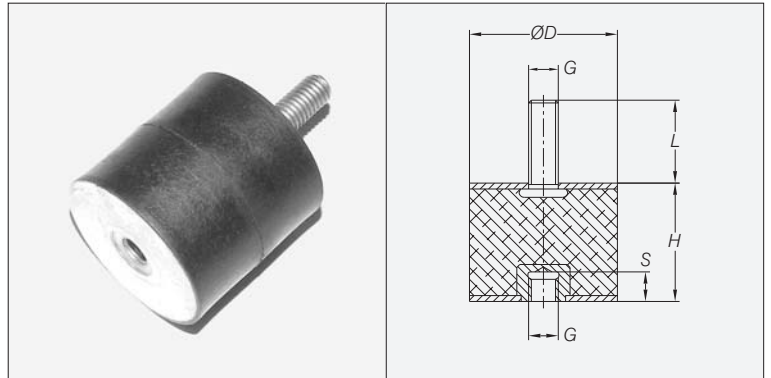
Load Mounts for Planar Beam Load Cells

Material: Natural rubber with steel, zinc plated.

Planar Beam Load Cells

Load Mount for PB Load Cell

	ØD x H	G	L	S
3.75 kg	10 x 15	M4	10	4
7.5 kg	10 x 15	M4	10	4
15 kg	15 x 15	M4	13	4
37.5 kg	20 x 15	M6	15	6
75 kg	20 x 15	M6	15	6
150 kg	30 x 15	M8	20	6
375 kg	40 x 15	M8	23	8



Load Mount for ZLB Load Cell

	ØD x H	G	L
20 kg	30 x 15	M8	15
50 kg	30 x 15	M8	20
100 kg	30 x 15	M8	20
200 kg	30 x 15	M8	27

